

■ SPECIFICATIONS

- Voltage Rating : 100V AC/DC
- Current Rating : 2A AC/DC
- Withstanding Voltage : 800V AC/minute
- Insulation Resistance : 1,000M Ω min
- Temperature range : - 25 $^{\circ}$ C to + 85 $^{\circ}$ C
- Contact resistance : 20m Ω max

■ HOUSING

- Part No. : 1124-XXX
1124-XX : GP Produces
- Poles : 2-16
- Material : Nylon 66 UL94V-0
- Q'ty : 1,000 pcs/Bag

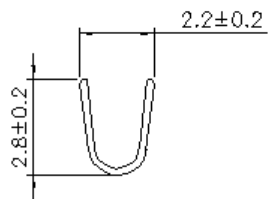
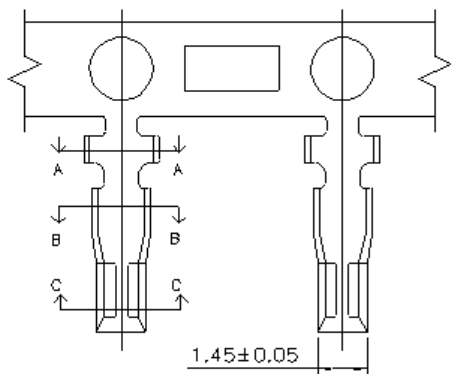
Poles	Part No.	Dimensions(mm)	
		A	B
2	1124-02	2.00	5.80
3	1124-03	4.00	7.80
4	1124-04	6.00	9.80
5	1124-05	8.00	11.80
6	1124-06	10.00	13.80
7	1124-07	12.00	15.80
8	1124-08	14.00	17.80
9	1124-09	16.00	19.80
10	1124-10	18.00	21.80
11	1124-11	20.00	23.80
12	1124-12	22.00	25.80
13	1124-13	24.00	27.80
14	1124-14	26.00	29.80
15	1124-15	28.00	31.80
16	1124-16	30.00	33.80

HO CHIEN
www.hochien.com

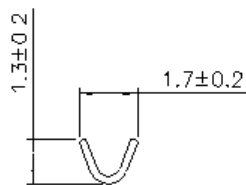
PART NO: 1124-XX
2.00mm Crimp Style Connectors Housing

APPROVED BY	SCALE	UNIT	TOLERANCE	
林陳輝	4:1	mm	.0	±0.3
CHECKED BY	PROJ	VER NO.	.00	±0.2
林明志		o	.000	±0.1
DRAWN BY	DATE	SIZE	ANGLE	
邱森鴻	2004/12/31	A4	0°	±
			.0°	±

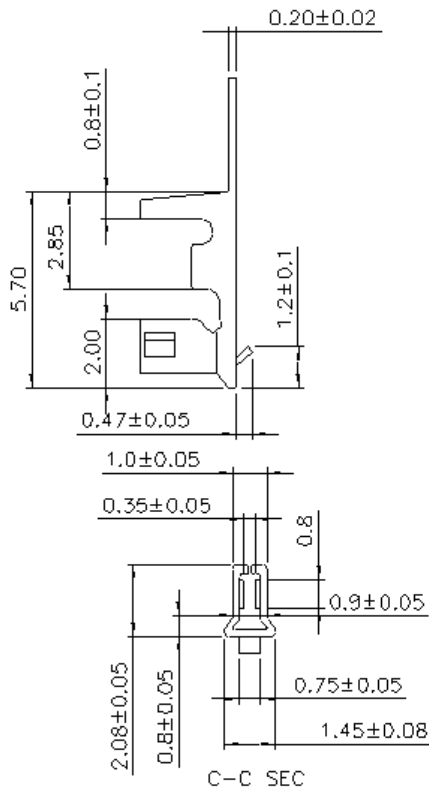
LTR	REVISION RECORD	DATE



A-A SEC



B-B SEC



C-C SEC

■ SPECIFICATIONS

- Voltage Rating : 100V AC/DC
- Current Rating : 2A AC/DC
- Withstanding Voltage : 800V AC/minute
- Insulation Resistance : 1,000M Ω min
- Temperature Range : -25 $^{\circ}$ C to +85 $^{\circ}$ C
- Contact Resistance : 20m Ω max

■ TERMINAL

- Part No. : 1124-T : GP Produces

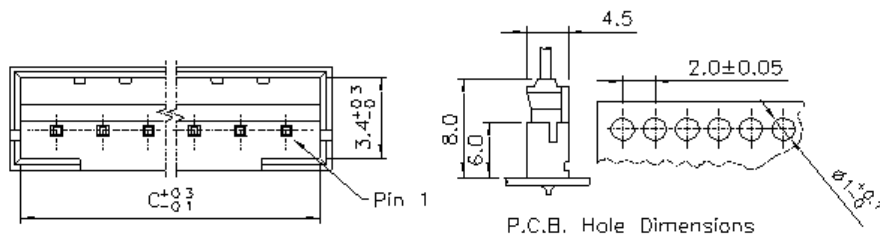
- Applicable Wires : AWG # 22 - 28
- Material : Phos. Bronze
- Finish : Tin Plated, Gold Plated
- Thickness : 0.2mm
- Q'ty : 10,000 pcs/Reel

HO CHIEN
www.hochien.com

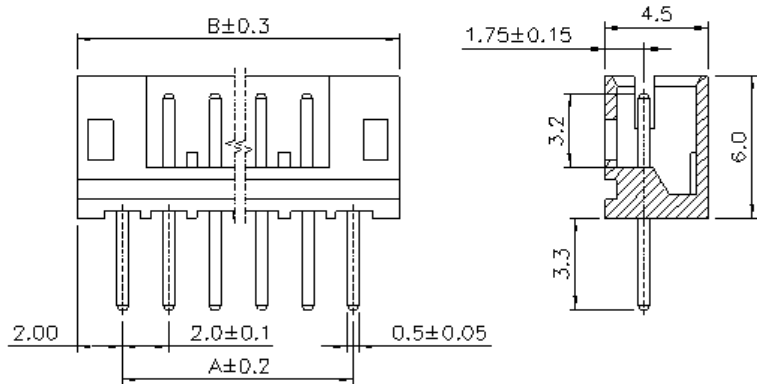
PART NO 1124-T, -1124-TG

2.00mm Crimp Style Connectors Terminal

APPROVED BY	SCALE	UNIT	TOLERANCE		LTR	REVISION RECORD	DATE
林炳榮	6:1	mm	.0	±0.3			
CHECKED BY	PROJ	VER NO	.000	±0.2	ECR	DG 200503-005	2005/03/16
林炳生		02	ALL	±			
DRAWN BY	DATE	SIZE	ANGLE				
余秀麗	2005/03/16	A4	0'	±			
			.0'	±			



P.C.B. Hole Dimensions



■ SPECIFICATIONS

- Voltage Rating : 100V AC/DC
- Current Rating : 2A AC/DC
- Withstanding Voltage : 800V AC/minute
- Insulation Resistance : 1,000M Ω min
- Temperature Range : - 25 $^{\circ}$ C to + 85 $^{\circ}$ C
- Contact Resistance : 20m Ω max

■ WAFER

- Part No. :1125-XXX
1125-XX : GP Produces
- Poles : 2-16
- Material : Contact : Brass, Tin Plated
- Base : Nylon 66 UL94V-0
- Qty : 1,000 pcs/Bag

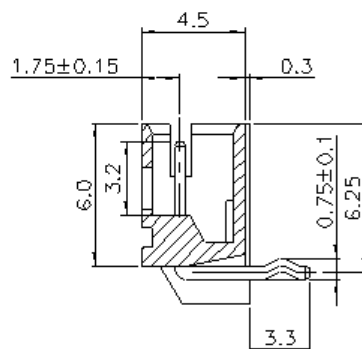
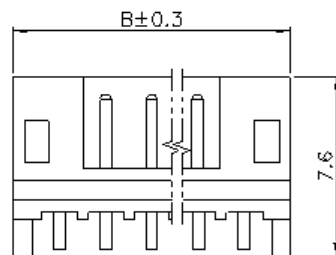
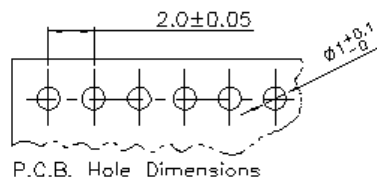
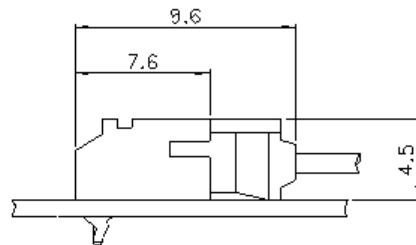
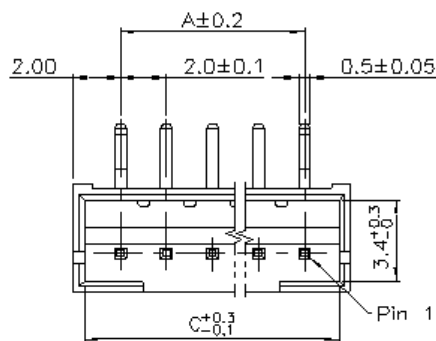
Poles	Part No.	Dimensions (mm)		
		A	B	C
2	1125-02	2.00	6.00	5.00
3	1125-03	4.00	8.00	7.00
4	1125-04	6.00	10.00	9.00
5	1125-05	8.00	12.00	11.00
6	1125-06	10.00	14.00	13.00
7	1125-07	12.00	16.00	15.00
8	1125-08	14.00	18.00	17.00
9	1125-09	16.00	20.00	19.00
10	1125-10	18.00	22.00	21.00
11	1125-11	20.00	24.00	23.00
12	1125-12	22.00	26.00	25.00
13	1125-13	24.00	28.00	27.00
14	1125-14	26.00	30.00	29.00
15	1125-15	28.00	32.00	31.00
16	1125-16	30.00	34.00	33.00

HO CHIEN
www.hochien.com

PART NO 1125-XX
2.00mm crimp style Connectors Wafer

APPROVED BY 林陳傑	SCALE 4:1	UNIT mm	TOLERANCE .0 ±0.3 .00 ±0.2 .000 ±0.1 ALL ±
CHECKED BY 海智洪	PROJ ⊗	VER NO. ⊗	ANGLE 0° ± .0° ±
DRAWN BY 葉志凱	DATE 2005/06/09	SIZE A4	

LTR	REVISION RECORD	DATE
ECR	200506-011	2005/06/09



■ SPECIFICATIONS

- Voltage Rating : 100V AC/DC
- Current Rating : 2A AC/DC
- Withstanding Voltage : 800V AC/minute
- Insulation Resistance : 1,000M Ω min
- Temperature Range : - 25 $^{\circ}$ C to + 85 $^{\circ}$ C
- Contact resistance : 20m Ω max

■ WAFER

- Part No. : 1125R-XXX
1125R-XX : GP Produces
- Poles : 2-16
- Material : Contact : Brass, Tin Plated
Base : Nylon 66 UL94V-0
- Q' ty : 1,000 pcs./Bag

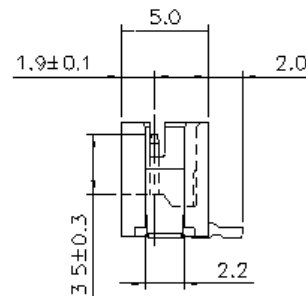
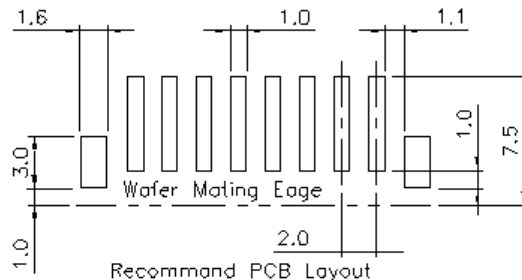
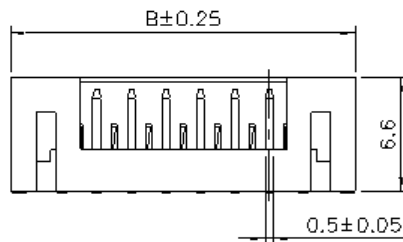
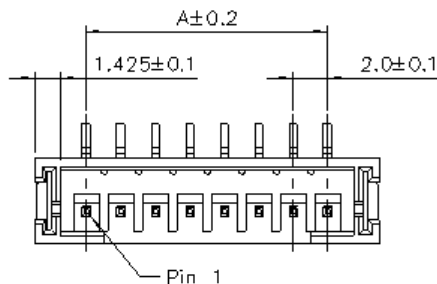
Poles	Part No.	Dimensions (mm)		
		A	B	C
2	1125R-02	2.00	6.00	5.00
3	1125R-03	4.00	8.00	7.00
4	1125R-04	6.00	10.00	9.00
5	1125R-05	8.00	12.00	11.00
6	1125R-06	10.00	14.00	13.00
7	1125R-07	12.00	16.00	15.00
8	1125R-08	14.00	18.00	17.00
9	1125R-09	16.00	20.00	19.00
10	1125R-10	18.00	22.00	21.00
11	1125R-11	20.00	24.00	23.00
12	1125R-12	22.00	26.00	25.00
13	1125R-13	24.00	28.00	27.00
14	1125R-14	26.00	30.00	29.00
15	1125R-15	28.00	32.00	31.00
16	1125R-16	30.00	34.00	33.00

HO CHIEN
www.hochien.com

PART NO 1125R-XX
2.00mm Crimp Style Connectors Wafer

APPROVED BY 林陳傑	SCALE 4:1	UNIT mm	TOLERANCE .0 ±0.3 .00 ±0.2 .000 ±0.1 ALL ±
CHECKED BY 海智洪	PROJ ◎	VER NO. ◎	ANGLE 0° ± .0° ±
DRAWN BY 葉志紅	DATE 2005/06/08	SIZE A4	

LTR	REVISION RECORD	DATE
ECR	200506-012	2005/06/08



■ SPECIFICATIONS

- Voltage Rating : 100V AC/DC
- Current Rating : 2A AC/DC
- Withstanding Voltage : 800V AC/minute
- Insulation Resistance : 1,000MΩ min
- Temperature Range : - 25(° to + 85 (°)
- Contact Resistance : 20mΩ max

■ WAFER

- Part No. : 1261-XX
1261-XX : GP Produces.
1261-XXNM High Temp. Mat-Tin Plated.
1261-XXN High Temp. Luster-Tin Plated.
- Poles : 2-16
- Material : Contact : Phos. Bronze, Tin Plated
Base : Nylon 9T UL94V-0
- Q'ty : 1,000 pcs./Tube /With Cap
- Q'ty : 800 pcs./Reel /With Cap

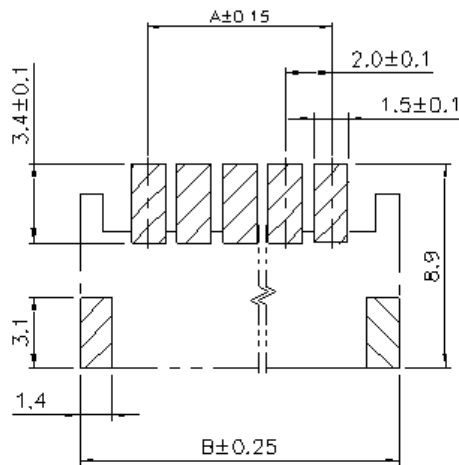
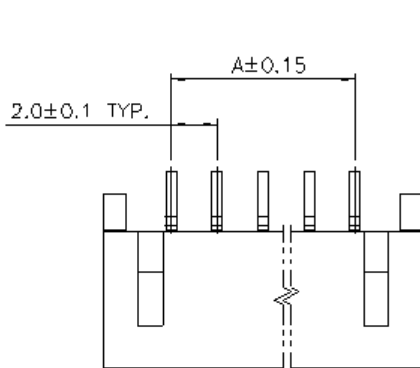
Poles	Part No.	Dimensions(mm)	
		A	B
2	1261-02	2.00	7.95
3	1261-03	4.00	9.95
4	1261-04	6.00	11.95
5	1261-05	8.00	13.95
6	1261-06	10.00	15.95
7	1261-07	12.00	17.95
8	1261-08	14.00	19.95
9	1261-09	16.00	21.95
10	1261-10	18.00	23.95
11	1261-11	20.00	25.95
12	1261-12	22.00	27.95
13	1261-13	24.00	29.95
14	1261-14	26.00	31.95
15	1261-15	28.00	33.95
16	1261-16	30.00	35.95

HO CHIEN
www.hochien.com

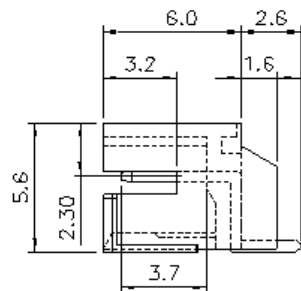
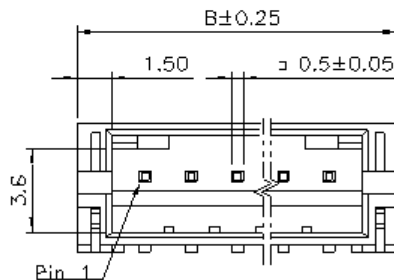
PART NO 1261-XX
2.00mm Crimp Style Connectors Wafer

APPROVED BY	SCALE	UNIT	TOLERANCE
林陳端	3:1	mm	.0 ±0.3
CHECKED BY	PROJ	VER NO.	.00 ±0.2
海智浩		α2	.000 ±0.1
DRAWN BY	DATE	SIZE	ANGLE
海智紅	2005/06/07	A4	0° ±
			0° ±

LTR	REVISION RECORD	DATE
ECR	200504-015	2005/04/28
ECR	200506-001	2005/06/07



Recommend PCB Layout



■ SPECIFICATIONS

- Voltage Rating : 100V AC/DC
- Current Rating : 2A AC/DC
- Withstanding Voltage : 800V AC/minute
- Insulation Resistance : 1,000M Ω min
- Temperature Range : - 25 $^{\circ}$ to + 85 $^{\circ}$
- Contact Resistance : 20m Ω max

■ WAFER

- Part No. : 1261R-XXX
1261R-XX : GP Produces.
1261R-XXNM : High Temp. Mat-Tin Plated.
1261R-XXN : High Temp. Luster-Tin Plated.
- Poles : 2-15
- Material : Contact : Phos. Brass, Tin Plated
Base : Nylon 9T UL94V-0
- Q'ty : 800 pcs./Tape & Reel

Poles	Part No.	Dimensions(mm)	
		A	B
2	1261R-02	2.00	8.00
3	1261R-03	4.00	10.00
4	1261R-04	6.00	12.00
5	1261R-05	8.00	14.00
6	1261R-06	10.00	16.00
7	1261R-07	12.00	18.00
8	1261R-08	14.00	20.00
9	1261R-09	16.00	22.00
10	1261R-10	18.00	24.00
11	1261R-11	20.00	26.00
12	1261R-12	22.00	28.00
13	1261R-13	24.00	30.00
14	1261R-14	26.00	32.00
15	1261R-15	28.00	34.00
16	1261R-16	30.00	36.00

HO CHIEN
www.hochien.com

PART NO 1261R-XX

2.00mm crimp style connectors Wafer

APPROVED BY	SCALE	UNIT	TOLERANCE
林陳端	4:1	mm	.0 ±0.3
CHECKED BY	PROJ	VER NO.	.00 ±0.2
海智浩		σ2	.000 ±0.1
DRAWN BY	DATE	SIZE	ANGLE
海志紅	2005/06/09	A4	0° ±
			0° ±

LTR	REVISION RECORD	DATE
ECR	200504-016	2005/04/28
ECR	200506-013	2005/06/09