

HO CHIEN

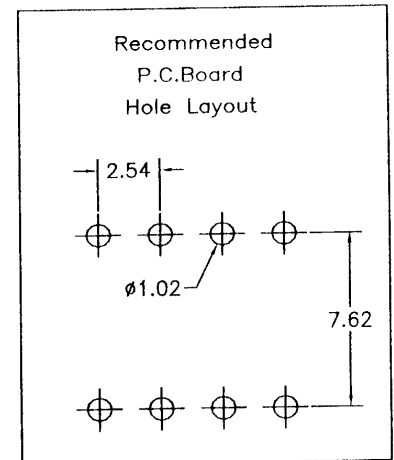
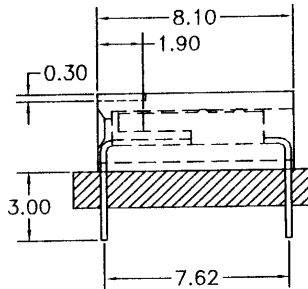
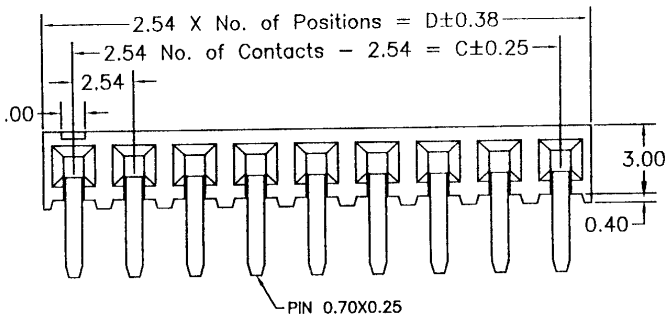
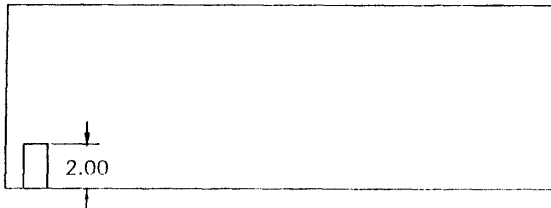
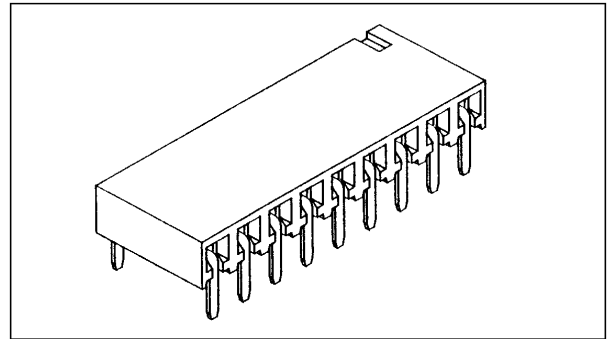
**2.54 X 2.54MM (0.1" X 0.1")
Female Header Side Entry**

Specifications

Current Rating: 3 Ampere
 Insulation Resistance: 1000MΩ Min.
 Dielectric Withstanding: 600V AC
 Contact Resistance: 20mΩ Max.
 Operating Temperature: -40°C to +105°C

Materials

Contact Material: Copper Alloy
 Contact Plating: Gold/Tin over Nickel
 Insulator: Glass Filled Polyester (UL 94V-0)



No. of Pins/Row	Dimension Information		No. of Pins/Row	Dimension Information		No. of Pins/Row	Dimension Information		No. of Pins/Row	Dimension Information	
	C	D		C	D		C	D		C	D
02	2.54	5.08	12	27.94	30.48	22	53.34	55.88	32	78.74	81.28
03	5.08	7.62	13	30.48	33.02	23	55.88	58.42	33	81.28	83.82
04	7.62	10.16	14	33.02	35.56	24	58.42	60.96	34	83.82	86.36
05	10.16	12.70	15	35.56	38.10	25	60.96	63.50	35	86.36	88.90
06	12.70	15.24	16	38.10	40.64	26	63.50	66.04	36	88.90	91.44
07	15.24	17.78	17	40.64	43.18	27	66.04	68.58	37	91.44	93.98
08	17.78	20.32	18	43.18	45.72	28	68.58	71.12	38	93.98	96.52
09	20.32	22.86	19	45.72	48.26	29	71.12	73.66	39	96.52	99.06
10	22.86	25.40	20	48.26	50.80	30	73.66	76.20	40	99.06	101.60
11	25.40	27.94	21	50.80	53.34	31	76.20	78.74			

Ordering Information

2600 - 1 X ___ - ___

02 - 40

T : Tiin Plating

G : Gold Plating

.....