

# HO CHIEN

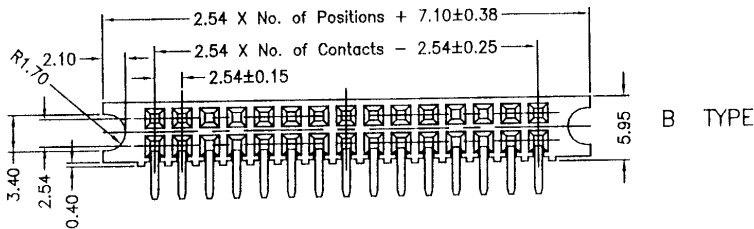
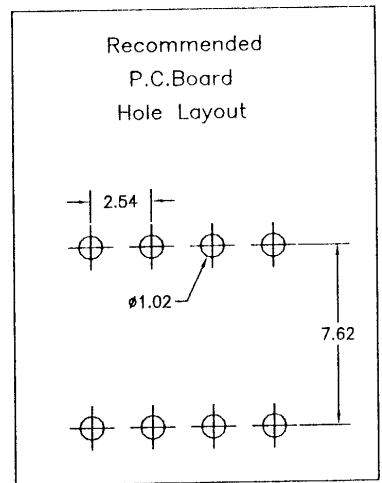
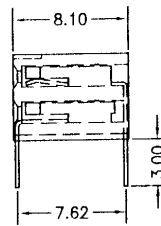
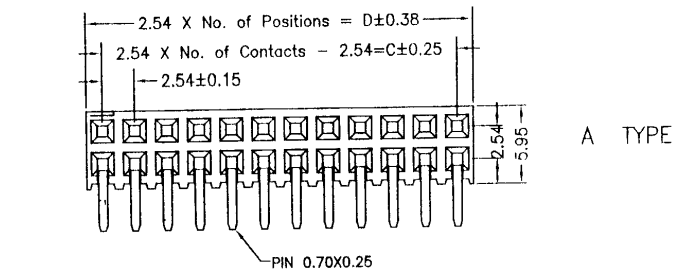
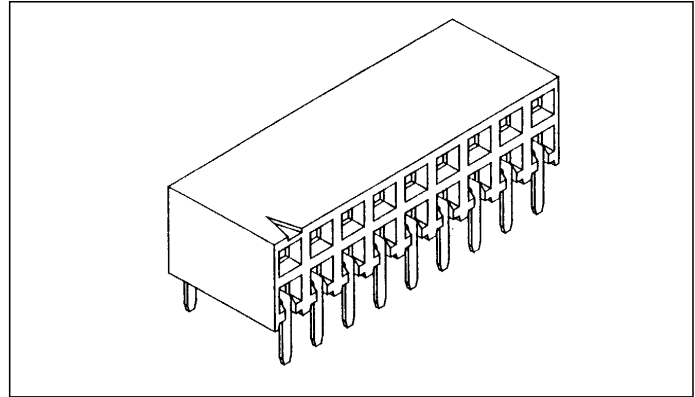
## 2.54 X 2.54MM (0.1" X 0.1") Female Header Dual Row Side Entry

### Specifications

Current Rating: 3 Ampere  
 Insulation Resistance: 1000MΩ Min.  
 Dielectric Withstanding: 600V AC  
 Contact Resistance: 20mΩ Max.  
 Operating Temperature: -40°C to +105°C

### Materials

Contact Material: Copper Alloy  
 Contact Plating: Gold/Tin over Nickel  
 Insulator: Glass Filled Polyester (UL 94V-0)



No. of Pins/Row	Dimension Information		No. of Pins/Row	Dimension Information		No. of Pins/Row	Dimension Information		No. of Pins/Row	Dimension Information	
	C	D		C	D		C	D		C	D
02	2.54	5.08	13	30.48	33.02	24	58.42	60.96	35	86.36	88.90
03	5.08	7.62	14	33.02	35.56	25	60.96	63.50	36	88.90	91.44
04	7.62	10.16	15	35.56	38.10	26	63.50	66.04	37	91.44	93.98
05	10.16	12.70	16	38.10	40.64	27	66.04	68.58	38	93.98	96.52
06	12.70	15.24	17	40.64	43.18	28	68.58	71.12	39	96.52	99.06
07	15.24	17.78	18	43.18	45.72	29	71.12	73.66	40	99.06	101.60
08	17.78	20.32	19	45.72	48.26	30	73.66	76.20			
09	20.32	22.86	20	48.26	50.80	31	76.20	78.74			
10	22.86	25.40	21	50.80	53.34	32	78.74	81.28			
11	25.40	27.94	22	53.34	55.88	33	81.28	83.82			
12	27.94	30.48	23	55.88	58.42	34	83.82	86.36			

### Ordering Information

2600 - 2 X

02 - 40

Blanket: A Type  
B : B Type

T : Tin Plating  
G : Gold Plating