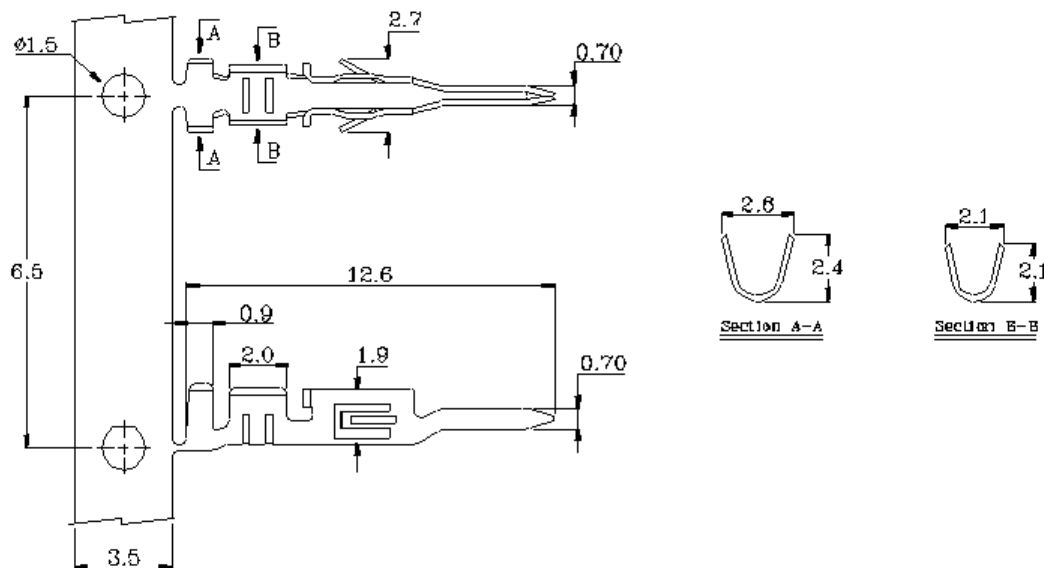


3.0mm (.118") Mini-Fit/Male Crimp Terminal



Specifications & Ordering Information:

Part No	Thickness	Material	Wire Range	Insulation O.D.	Finish	Qty/reel	Use with
2831FS-6	0.2	Phosphor Bronze	AWG #20~24	2.55-2.2 mm	Pre. Tin-Plated	10,000PCS	H831-N Housing

REV.	DATE	REV.	DATE	<h1>HO CHIEN</h1> <p>www.hochien.com</p>	UNIT : mm	APPROVAL	CHECKED	DRAWING	PRODUCT
A	8.25,2002				TOLERANCE : .000 : ±0.08 .00 : ±0.13 .0 : ±0.25				