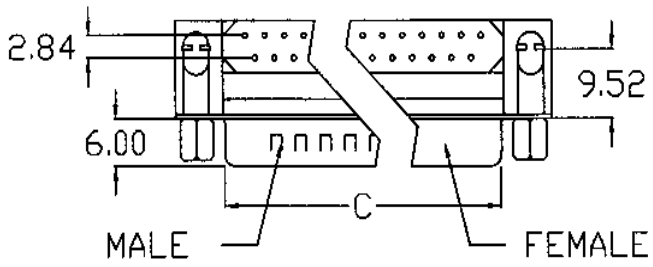
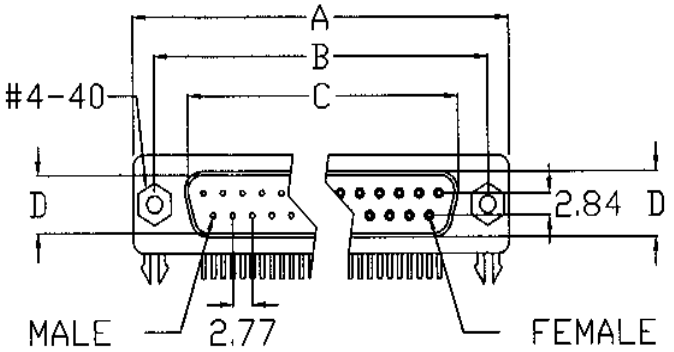
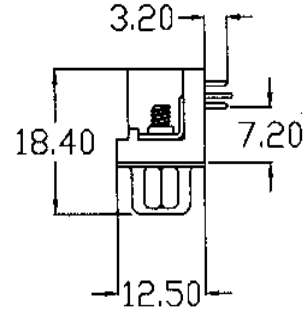
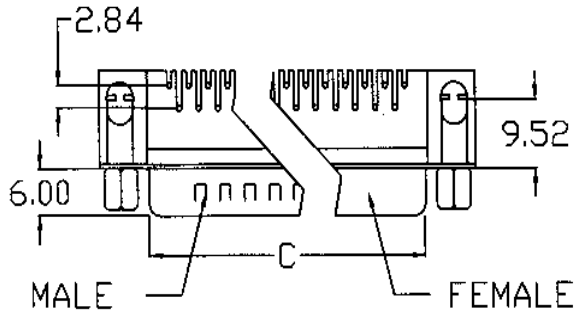


HO CHIEN P/N NO. 3013 -
 3013 - (FE)

REVISION	DESCREPTION	DATE	APPD
0	SET UP	MAR/17/2000	C.Y.LIN



3013 - (FE)
 PIN NO: ONLY "*" "

3013 -

TYPE	PIN NO.	SHELL PLATED	MONTNING
<input type="checkbox"/>	<input type="checkbox"/>	<input type="checkbox"/>	<input type="checkbox"/>
0:MALE 1:FEMALE	1:09 PIN 2:15 PIN 3:19 PIN 4:23 PIN 5:25 PIN 6:37 PIN	Z:Zinc plated T:Tin plated	Blank:W/BOARDLOCK SCROW FIXED A:RIVET W/BOARDLOCK AJ:RIVET W/BOARDLOCK & SCROW FIXED B:RIVET W/NON-THREAD L-SHAPE BJ:RIVET W/NON-THREAD L-SHAPE SCROW FIXED C:W/NON-THREAD L-SHAPE SCROW FIXED G:WRIVET ONLY

MATERIAL
 SOCKET CONTACT : Phosphor bronze Brass Gold-plated over nickel
 INSULATOR : PBT & 30% Glass-fibre Reinforced UL-94-VO
 CURRENT RATING : 5 amp
 DIELECTRIC STRENGTH : 1000V for one minute
 INSULATOR RESISANCE : 1000MΩ Min. at 500V DC
 INSULATOR : Glass filled Nylon UL-94VO
 TEMPERATURE : -55°C ~ +105°C
 FE : Ferrite (EMI)

Dimension (mm)						
Position	Plug (M) / Recept (F)	A	B	C	D	E
*09	Plug (M)	30.81	24.88	16.92	8.36	19.28
	Recept (F)			16.33	7.90	
*15	Plug (M)	39.14	33.32	25.25	8.36	27.51
	Recept (F)			24.66	7.90	
19	Plug (M)	44.70	38.81	30.73	8.36	33.03
	Recept (F)			30.15	7.90	
23	Plug (M)	50.26	44.30	36.22	8.36	38.54
	Recept (F)			35.64	7.90	
*25	Plug (M)	53.04	47.04	38.96	8.36	41.30
	Recept (F)			38.38	7.90	
*37	Plug (M)	69.32	63.50	55.42	8.36	57.71
	Recept (F)			54.84	7.90	

HO CHIEN ENTERPRISE CO. LTD

UNIT : mm
 TOLERANCE : ± 0.25

TITLE : D-SUB CONNCTOR (STAMPED PIN)
 3013- D-SUB P.C.B. RIGHT ANGLE CONNECTOR
 3013- FE D-SUB P.C.B. RIGHT ANGLE CONNECTOR (EMI)

DR: RON CHEN	CHK: J.T,CHEN	APPD: C.Y.LIN	PAGE: 1 OF 1	HO CHIEN PIN NO. 3013 - <input type="checkbox"/> <input type="checkbox"/> 3013 - <input type="checkbox"/> <input type="checkbox"/> (FE)
--------------	---------------	---------------	--------------	--