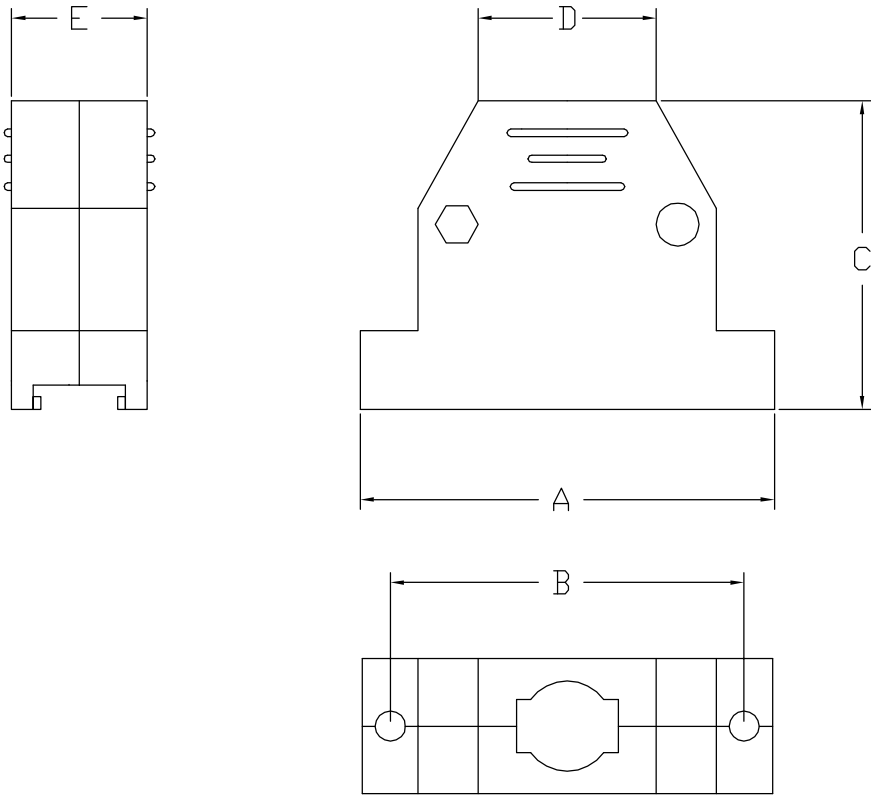
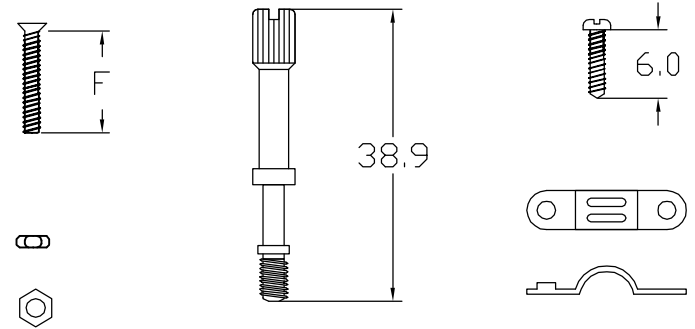


REVISION	DESCREPTION	DATE	APPD
0	SET UP	MAR/17/2000	C.Y.LIN



KITS



3100 - J

NO. OF CONTACT

- 1=9Pin
- 2=15Pin
- 5=25Pin
- 6=37Pin
- 7=50Pin

KITS CONSIST OF a-c :

- a. 13.0~17.0mm 4-40 thread screw 2pcs
 - b. Nut 2pcs
 - c. 38.9mm 4-40 thread screw 2pcs
 - d. 6.0mm 4-40 thread screw 2pcs
 - e. S/R=9,15pin 2pcs 25,37,50pin 1pcs
- * Black color hood only

MATERIAL						
HOOD : UL 94 HB ABS						
Dimension (mm)				Tolerance : ± 0.2		
Position	A	B	C	D	E	F
9	31.1	25.0	30.0	16.5	17.0	13.0
15	39.0	34.0	29.5	18.5	17.0	13.0
25	55.0	47.0	41.0	24.3	18.0	14.0
37	70.0	63.5	47.5	34.0	21.1	17.0
50	69.5	61.0	49.5	29.0	21.0	17.0



HO CHIEN ENTERPRISE CO. LTD

TITLE :

D - SUB CONNECTOR PLASTIC HOOD

DR :	RON CHEN	CHK :	J.T,CHEN	APPD :	C.Y.LIN
------	----------	-------	----------	--------	---------

PAGE:	1 OF 1
-------	--------

HO CHIEN P/N.	3100 - J SERIES
---------------	-----------------