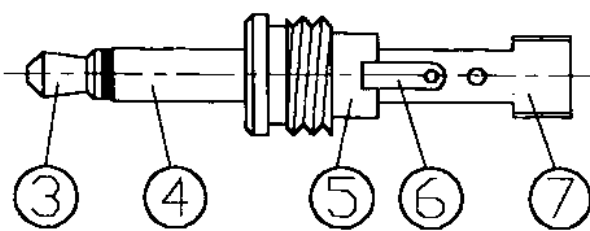
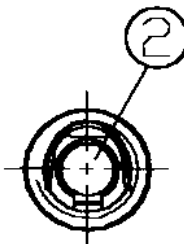
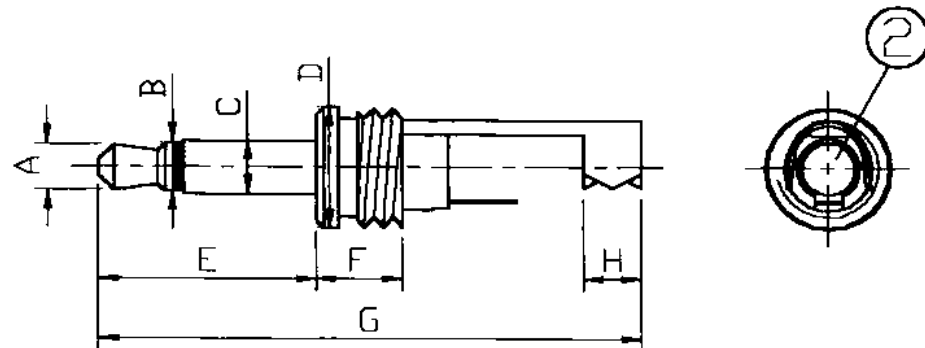


- A $\phi 3 \pm 0.1$
- B $\phi 3.2 \pm 0.05$
- C $\phi 3.5 \pm 0.05$
- D $\phi 8$
- E 14.2
- F 5.5
- G 35.1 ± 0.1
- H 3.8
- I 10.2 ± 0.1
- J 37.6 ± 0.3
- K 52.3 ± 0.3



7	BIG COPPER SLICE	BRONZE	GOLD PLATING	
6	SMALL SOLDER SLICE	BRONZE	GOLD PLATING	
5	WHITE GRANULE	PDM	WHITE	
4	COPPER TUBE & HEAD	BRONZE	GOLD PLATING	
3	PEARL HEAD	BRONZE	GOLD PLATING	
2	IRON TACK	BRONZE	GOLD PLATING	
1	ANISE SHAPED SHELL	PE-208	BLACK	
NO	DESCRIPTION	MATERIAL	DISPOSE	REMARK

Ho Chien Enterprise Co., Ltd.

TITLE

3.5MM MONO
PLUG

ITEM

8609-G

UNIT

mm

SCALE

2:1

DATE

910319

DRAWER