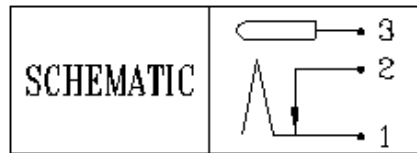
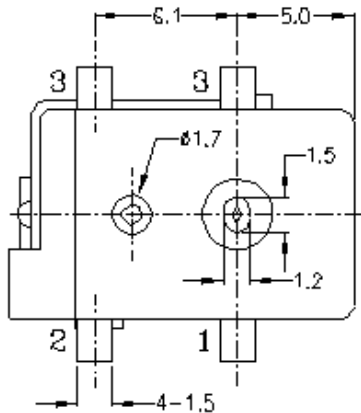
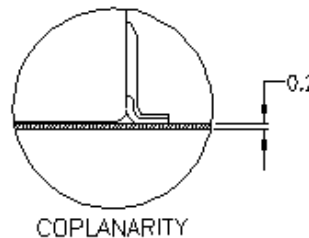
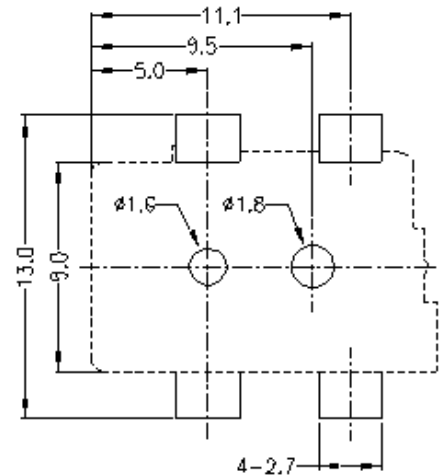


Recommended PAD Layout
[TOP VIEW]



PIN DIA.	TOLER.	PART NO.
2.00	±0.05	AJ210A-CSMT
2.45	±0.05	AJ210B-CSMT



ITEM	PART NO.	NAME	MATERIAL	FINISH	QTY	NOT
6	A210-W4/B/C	CENTER PIN	CU	NI	1	ø2.0/ø
5	A210-W3-SMT	PIVET CONTACT	BRASS	Ag	1	40T
4	A210-W2-SMT	SHUNT	BRASS	Ag	1	40T
3	A210-W1-SMT	SPRING CONTACT	PBS	Ag	1	30T
2	A210-P2-6T	BACK COVER	POLYAMIDE	30	1	UL94V
1	A210-P1B-6T	HOUSING	POLYAMIDE	30	1	UL94V

ITEM	PART NO.	NAME	MATERIAL	FINISH	QTY	NOT
6	A210-W4/B/C	CENTER PIN	CU	NI	1	ø2.0/ø
5	A210-W3-SMT	PIVET CONTACT	BRASS	Ag	1	40T
4	A210-W2-SMT	SHUNT	BRASS	Ag	1	40T
3	A210-W1-SMT	SPRING CONTACT	PBS	Ag	1	30T
2	A210-P2-6T	BACK COVER	POLYAMIDE	30	1	UL94V
1	A210-P1B-6T	HOUSING	POLYAMIDE	30	1	UL94V

REV.	DESCRIPTIONs	DATE
B	TOLERANCE & COPLANARITY ADD ON, THICKNESS=0.3(WAS 0.25)	890103

APPROVALS: **HO CHIEN** DATE: 12/20/03
 DC POWER JACK, TYPE A ø2.0/ø2.5XCLASS 4), WITH PDS
 A3 B AJ210X-CSM