
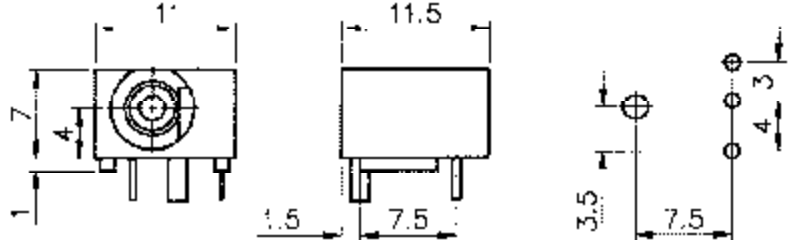

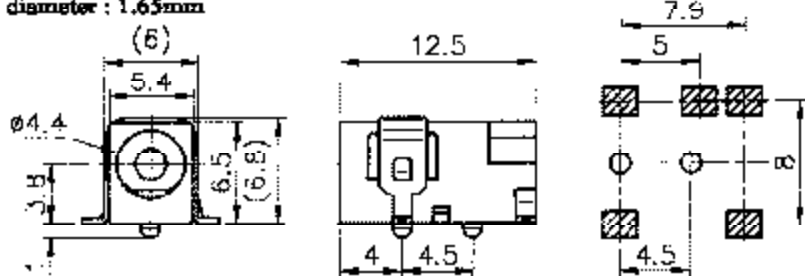

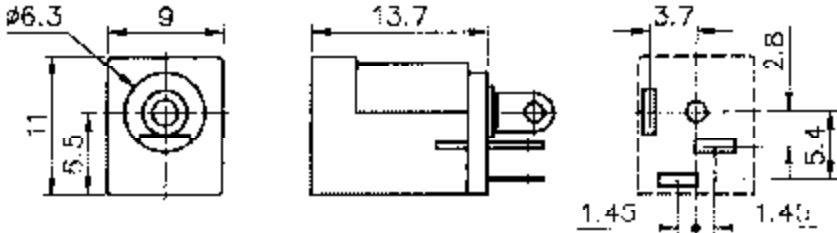
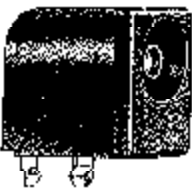
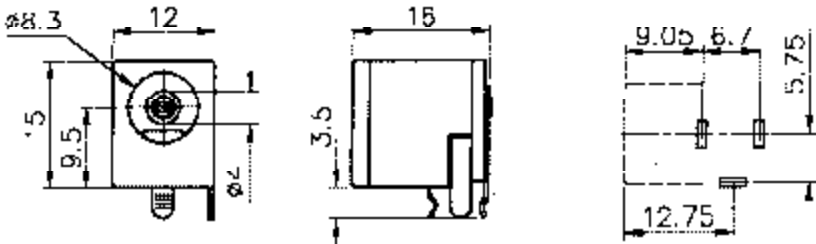


# HO CHIEN ENTERPRISE CO., LTD.

## D.C. POWER JACK

 <p>DC-012</p>	<p><b>D.C. POWER JACK :</b> There are three types of pin diameter : 2.00mm(A), 2.50mm(B), 2.35mm(C)</p> 
 <p>DC-013</p>	<p><b>D.C. POWER JACK (SMT TYPE):</b> Pin diameter : 1.65mm</p> 
 <p>DC-014</p>	<p><b>D.C. POWER JACK (STRAIGHT TYPE) :</b> There are four types of pin diameter : 2.00mm(A), 2.50mm(B), 2.35mm(C), 1.87mm(D)</p> 
 <p>DC-004</p>	<p><b>D.C. POWER JACK (FEMALE TYPE):</b> Pin diameter : 1.50mm</p> 

**SPECIFICATION :**

**INSULATION RESISTANCE : 50M OHM MIN. AT 500V D.C.**

**DIELECTRIC STRENGTH : AC 250V r.m.s. / 1 MINUTE.**

**CONTACT RESISTANCE : 30m OHM MAX.**