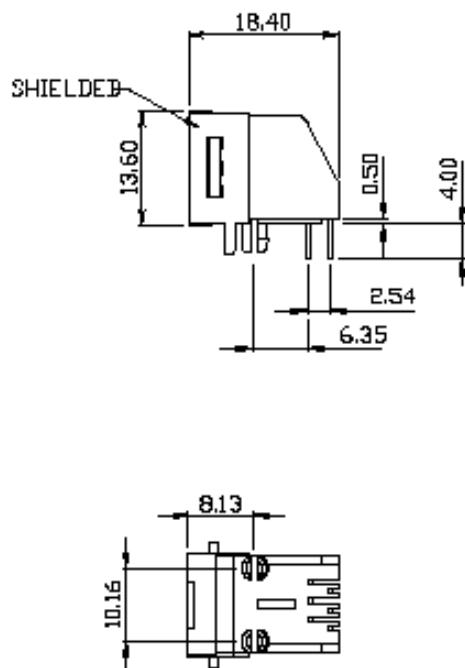


PCB LAYOUT



SPECIFICATION :

1. Electrical Char.

Insulation Resistance : 500M-ohm Min.
 Contact Resistance : 20milli-ohm Max
 Rating Current : 1.5A Min.
 Dielectric Voltage : 1,000 Vrms 60

2. Physical char. **RoHS**

Housing : PBT 20% Glass Filled (UL 94V-0)
 Color : Black Color
 Spring Wire : 0.35mm Thickness Phosphor
 Gold Plating Over Nickel
 Temperature Range : - 25 /+90 Deg
 Durability : 500 Mates

HC-031SH-6-D-4

B=6p2c,C=6P4c
 D=6p6c

Gold plated 1= 15u , 2= 30 u
 3= 50u , 4= 6u

HO CHIEN
www.hochien.com

TITLE
 RJ11 orRJ12 Very Low Profile PCB Jack
 UL & cUL FILE NO. E131820

MODULAR JACKS ASSY FOR
 HC-031SH-6-X-X

SCALE SIZE DWG. NO. 9631-S6

NOT SCALED DRAWING	TOLERANCE UNLESS OTHERWISE NOTICE	DNCH	MM	DR	DATE
	LINEAR —	MM +0.00 DNCH -0.00+0.00	MM +0.1 - 0.0 1.65 - 0.00+0.00	Steve	AUG-2202
THIRD ANGLE PROJECTION	ANGLE +0.50°	RADII.	+0.15 -0.25	Johnn	AUG-2202
MM (DNCH)				Billy	AUG-2202

DWG. NO.
 AS031C17