

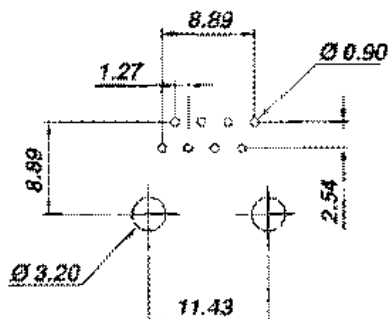
## SPECIFICATION :

### 1. Electrical Char.

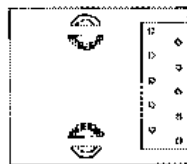
- Insulation Resistance : 500M-Ohm Min.
- Contact Resistance : 20milli-Ohm Max.
- Rating Current : 1.5A Max.
- Rating Voltage : 120V AC,
- Dielectric Voltage : 1,000 Vrms 60 Sec. Min.

### 2. Physical char.

- Housing : PBT Glass Filled (UL 94V-0)
- Color : Black Color
- Spring Wire : 0.45mm Dia. Phosphor bronze  
Gold Plating Over Nickel.
- Temperature Range : - 25 /+90 Deg C
- Durability : 500 Mating cycles Min.



**PCB LAYOUT  
(Top View)**



## HC-032-8K-F-LX



Note : Total Cd(cadmium) Content < 5PPM(mg/kg)  
Test Method : EN1122:2001 Method (ICP-AES)

: Total Pb(Lead) Content < 100PPM(mg/kg)  
Test Method : US EPA3050B (ICP-AES)

# HO CHIEN

www.hochien.com

TITLE

LOW PROFILE PCB MOUNT SIDE ENTRY JACK  
UL & cUL FILE NO. E131820

MODULAR JACKS ASSY FOR  
HC-032-8K-F-LX

SCALE SIZE DWG. NO. 9663 SERIES

DWG. NO.

AS032004-CL

NOT SCALING DRAWING	TOLERANCE UNLESS OTHERWISE NOTICE	INCH	MM	DR	DATE
THIRD ANGLE PROJECTION	LINEAR ANG DIMEN	0.10±0.01 0.00±0.005 0.00±0.002	0.00±0.25 0.00±0.13 0.00±0.05	Steven	JAN-12 05
	ANGLE ±0.01°	RADR.	+0.05 -0.15	Johnn	JAN-12 05
				Billy	JAN-12 05