

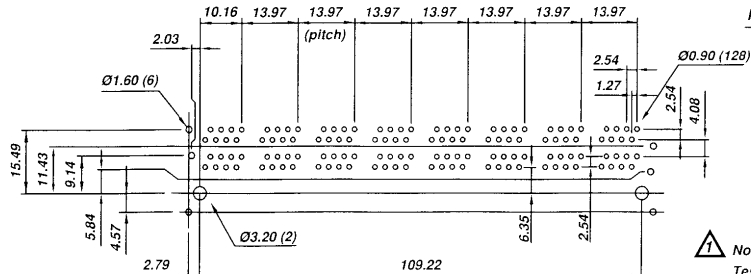
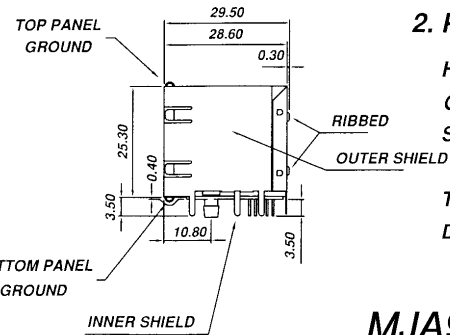
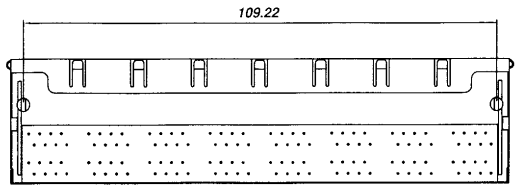
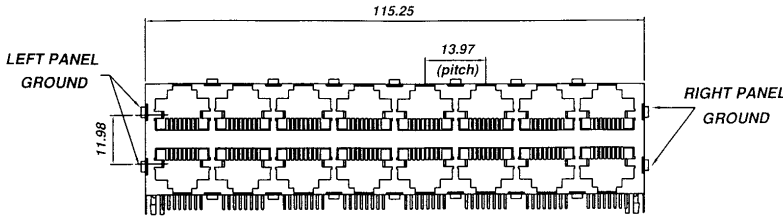
# SPECIFICATION :

## 1. Electrical Char.

- Insulation Resistance : 500M-Ohm Min.
- Contact Resistance : 20milli-Ohm Max.
- Rating Current : 1.5A Max.
- Rating Voltage : 120V AC
- Dielectric Voltage : 1,000 Vrms 60 Sec. Min.

## 2. Physical char.

- Housing : PBT Glass Filled (UL 94V-0)
- Color : Black Color
- Spring Wire : 0.35mm Thickness Phosphor Bronze
- Gold Plating Over Nickel.
- Temperature Range : - 25 /+90 Deg C
- Durability : 500 Mating cycles Min.



**⚠ Note :** Total Cd(cadmium) Content< 5PPM(mg/kg)  
Test Method : EN1122:2001 Method (ICP-AES)  
: Total Pb(Lead) Content< 100PPM(mg/kg)  
Test Method : US EPA3050B (ICP-AES)

# MJA9-8828-G3S

F=8p8c			1=15u , 3=50u
Lead Free			2=30u , 4= 6 u

**HO CHIEN**  
www.hochien.com

TITLE	DOUBLE DECK GANG PCB JACK UL & cUL FILE NO. E131820
	MODULAR JACKS ASSY FOR MJA9-8828-G3S
	SCALE SIZE DWG. NO.9600 SERIES

### PCB LAYOUT (Top View)

NOT SCALED DRAWING	TOLERANCE UNLESS OTHERWISE NOTICE	INCH	MM	DR.	DATE
	LINEAR	00±0.01 000±0.005 0000±0.002	00±0.25 000±0.13 0000±0.05	Steven	DEC-23 '04
	ANGLE+0°30'	RADIL	+0.40 -0.15	CK D Johnn APP'D Billy	DEC-23 '04

DWG. NO. **AS600030-L**