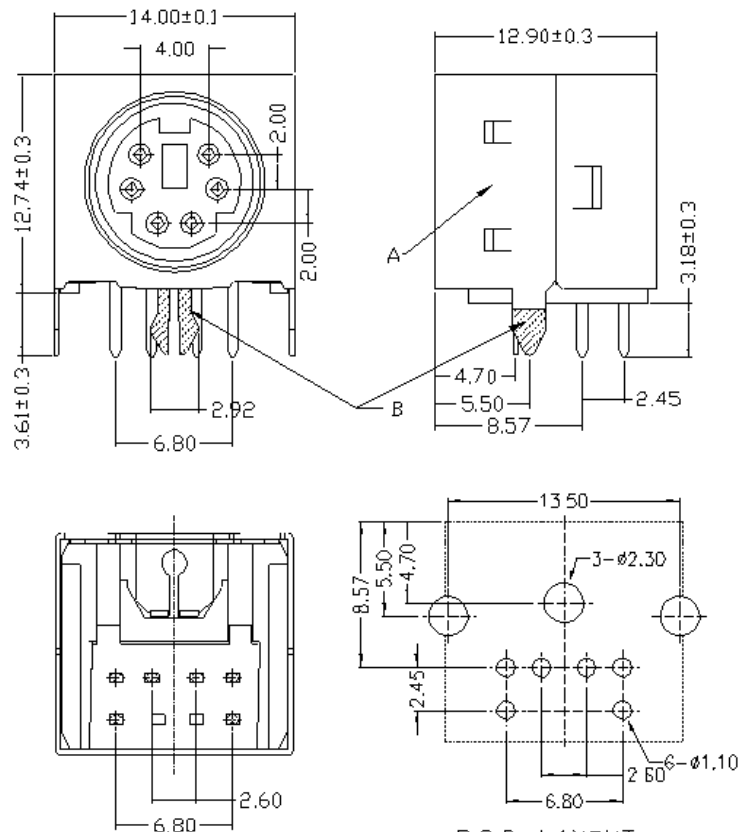


REVISION	DESCRIPTION	DATE	
0	SET UP	NOV.22.2005	



MATERIAL

INSULATOR: PBT UL 94V-0

SHELL: Brass, Nickel/Tin plated

CONTACT: Phosphor Bronze, Selective Gold plated

ENVIRONMENTAL

OPERATING TEMPERATURE: -55°C~+105°C

ELECTRICAL

CONTACT CURRENT RATING: 1 Amp

DIELECTRIC WITHSTANDING : AC 1000V/min. R.M.S.

INSULATION RESISTANCE: 500M Ω min. at 500V DCCONTACT RESISTANCE: 30m Ω Max

CONTACT COLOR : 1602-06B(Block) OR 1602-06G(Green)

P.C.B. LAYOUT
BOTTOM VIEW

HO CHIEN ENTERPRISE CO.

TITLE:

Mini Din 6 pos Shield

DR:	RON CHEN	CHK:	J.T.CHEN	APP:	C.Y.LIN	PAGE:	1 OF 1	HO CHIEN P.N.	1602-06X
-----	----------	------	----------	------	---------	-------	--------	---------------	----------