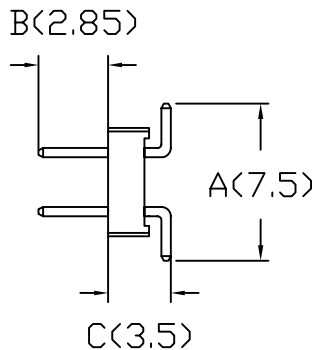
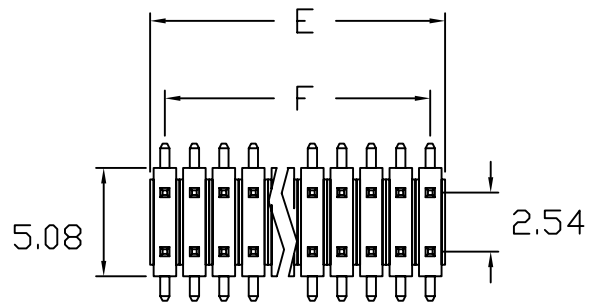
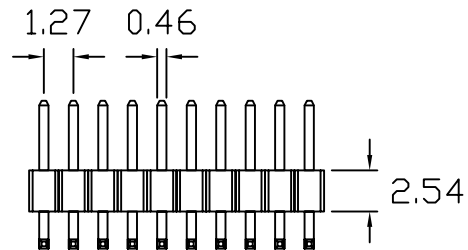


REVISION	DESCREPTION	DATE	APPD
0	SET UP	APR/11/2006	C.Y.LIN

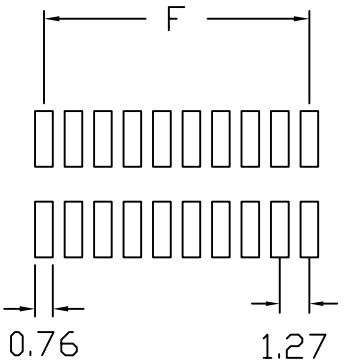


2274M - 2 x □
TYPE _____
 M=S.M.T.
PIN NO. _____
 3 ~ 50 pos



Dimension (mm)		3 to 50 pos. avail. per row
E	1.27 x No. of position per Row	
F	1.27 x No. of position per Row - 1.27	

MATERIAL & ELECTRICAL
 INSULATOR : Nylon 6T
 CONTACT : COPPER ALLOYS
 PLATING : Gold flash plated over Nickel
 CURRENT RATING : 1 Amp
 CONTACT RESISTANCE : 20mΩ Max. at 100mA DC
 INSULATOR RESISANCE : 500MΩ Min. at 500V DC
 TEMPERATURE : -55°C ~ +105°C
 COLOR : Black



P.C.Board Layout

UNIT : mm
 TOLERANCE : ±0.2



TITLE : 0.05"(1.27mm)x0.1"(2.5mm) PIN HEADER
 SMT TYPE DUAL ROW STRAIGHT

DR: RON CHEN	CHK: J.T.CHEN	APPD: C.Y.LIN	PAGE: 1 OF 1	HO CHIEN P/N. 2272M - 2 x □
--------------	---------------	---------------	--------------	-----------------------------