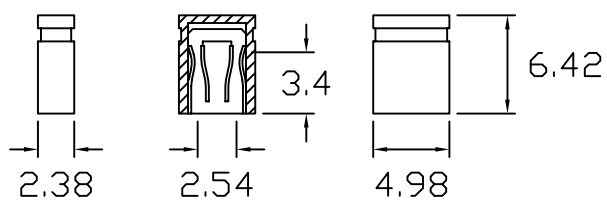
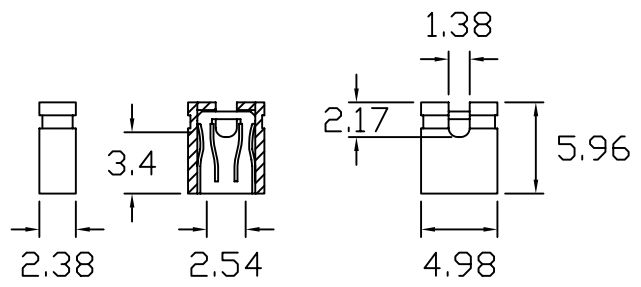


HO CHIEN P/N. **2546 SERIES**

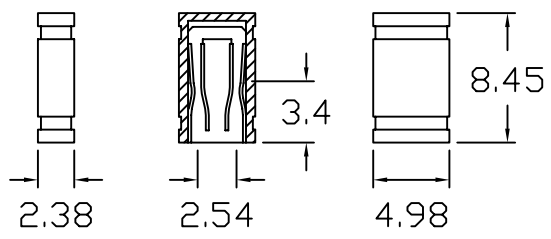
2546 - 01A (6mm Close)



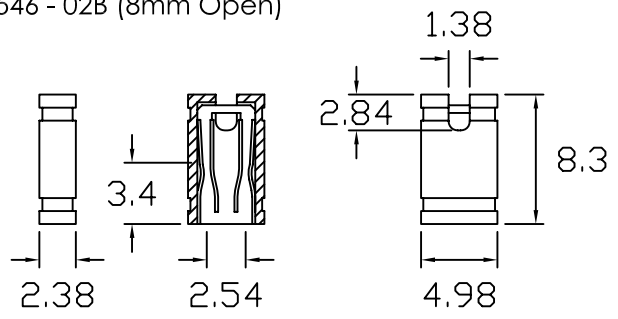
2546 - 01B (6mm Open)



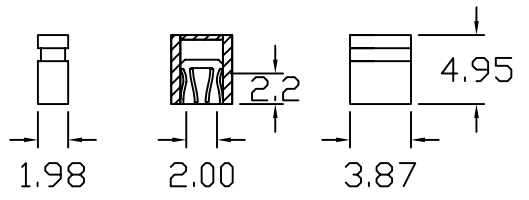
2546 - 02A (8mm Close)



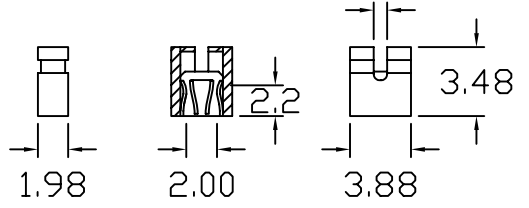
2546 - 02B (8mm Open)



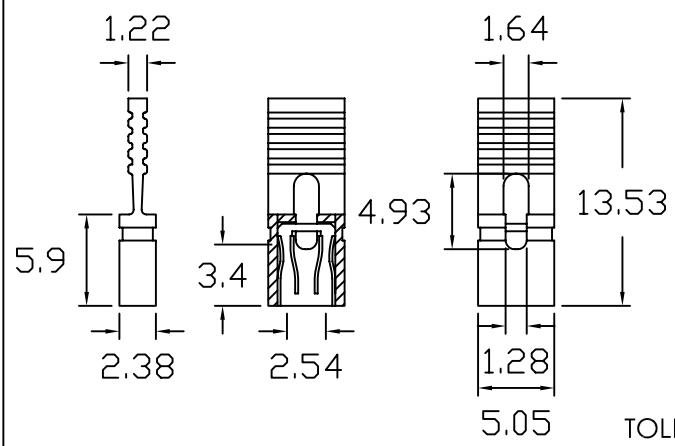
2546 - 07A (2.0mm Close)



2546 - 07B (2.0mm Open)

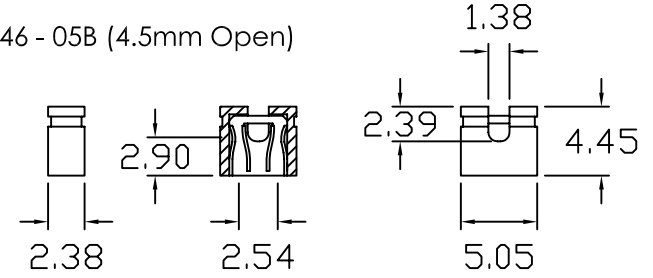


2546 - 06B (13.5mm Open)



REVISION	DESCREPTION	DATE	APPD
0	SET UP	SEP/5/1998	C.Y.LIN

2546 - 05B (4.5mm Open)



2546 -

PART NO.

- 01=6mm
- 02=8mm
- 05=4.5mm
- 06=13.5mm
- 07=2.0mm

TYPE

- A=Close
- B=Open

INSULATOR COLOR

- Blank=Black
 - R=Red
 - Y=Yellow
 - B=Blue
 - W=White
- only 01A, 01B, 06B

MATERIAL & ELECTRICAL

INSULATOR : PBT & Glass-fiber UL 94-V0
 CONTACT : Phosphor bronze
 PLATING : Gold plated over nickel
 CURRENT RATING : 3 A
 CONTACT RESISTANCE : 12mΩ max. at DC 100mA
 INSULATOR RESISTANCE : 1000MΩ min. at DC 250V
 TEMPERATURE : -55°C ~ +125°C



HO CHIEN ENTERPRISE CO. LTD

TITLE : 2.54mm CENTER MINI JUMPERS

DR: RON CHEN CHK: J.T.CHEN APPD: C.Y.LIN

PAGE: 1 OF 1 HO CHIEN P/N. 2546 SERIES