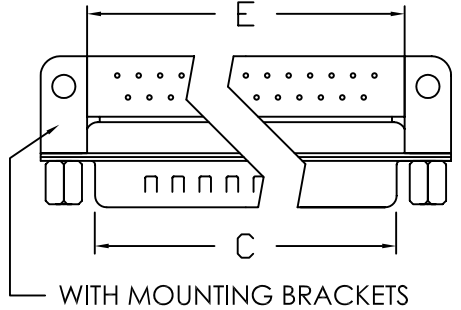
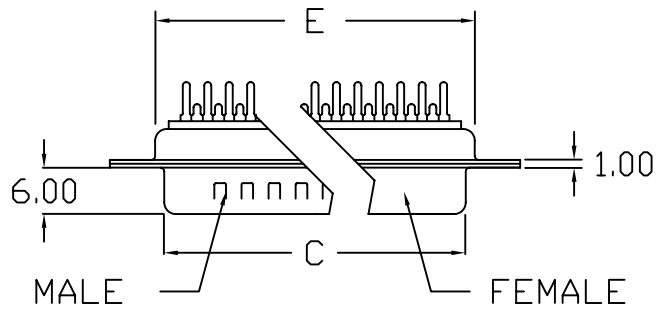


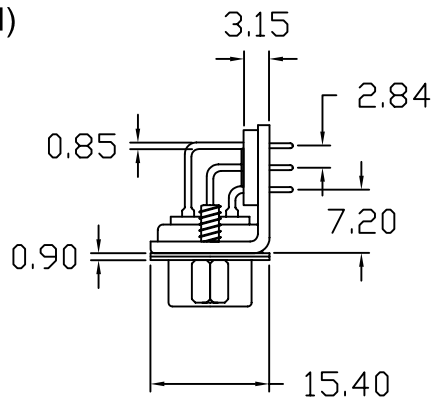
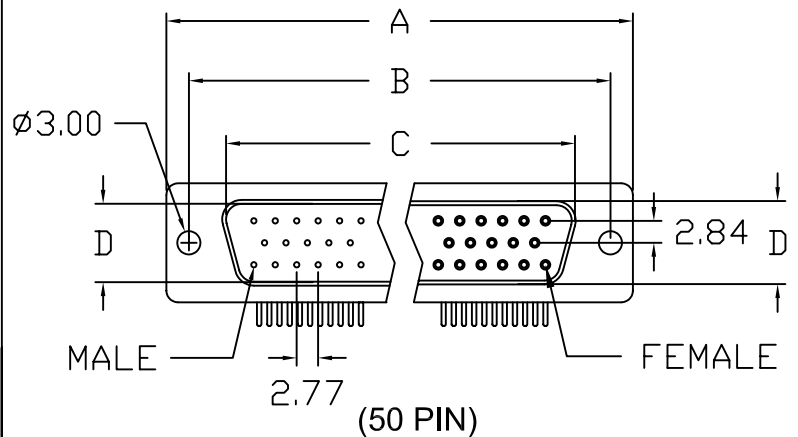
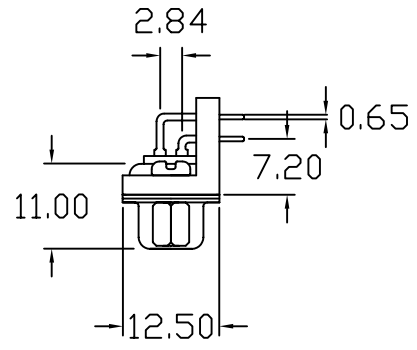
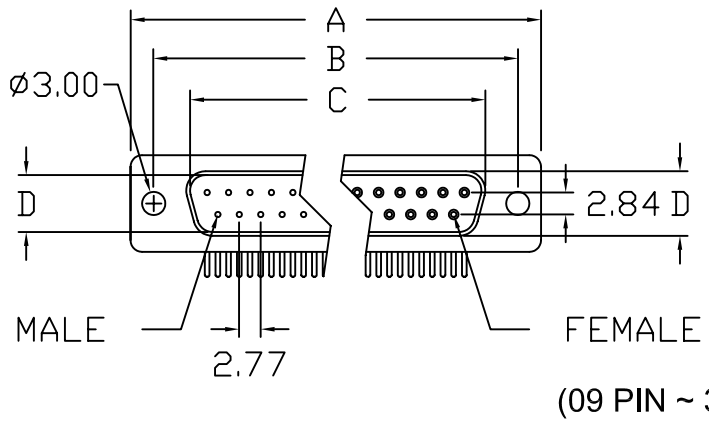
REVISION	DESCREPTION	DATE	APPD
0	SET UP	JUL/17/2003	C.Y.LIN



3003 -

TYPE	PIN NO.	SHELL PLATING	INSULATOR COLOR	MOUNTING BRACKETS
0:MALE 1:FEMALE	1:09 PIN 2:15 PIN 5:25 PIN 6:37 PIN 7:50 PIN	Blank: Tin plated	Blank: White Bk: Black	Blank: Without Mounting Brackets L: With Mounting Brackets

RoHS COMPLIANT



MATERIAL & ELECTRICAL
 INSULATOR : PBT & 30% Glass-fibre UL 94-V0
 CONTACT : Brass
 PLATING : Gold-plated over nickel
 CURRENT RATING : 5 Amp
 DIELECTRIC STRENGTH : 1000V for one minute
 INSULATOR RESISTANCE : 1000MΩ Min. at 500V DC
 TEMPERATURE : -55°C ~ +105°C

3003 Dimension (mm) Tolerance : ±0.2

Position	Plug (M) / Recept (F)	A	B	C	D	E
9	Plug (M)	30.81	24.88	16.92	8.36	19.28
	Recept (F)			16.33	7.90	
15	Plug (M)	39.14	33.32	25.25	8.36	27.51
	Recept (F)			24.66	7.90	
25	Plug (M)	53.04	47.04	38.96	8.36	41.30
	Recept (F)			38.38	7.90	
37	Plug (M)	69.32	63.50	55.42	8.36	57.71
	Recept (F)			54.84	7.90	
50	Plug (M)	66.93	61.11	52.81	11.07	55.32
	Recept (F)			52.43	10.74	

HO CHIEN ENTERPRISE CO. LTD

TITLE : 7.20mm D-SUB PCB MACHINED CONTACT

DR: RON CHEN	CHK: J.T.CHEN	APPD: C.Y.LIN	PAGE: 1 OF 1	HO CHIEN P/N. 3003 SERIES
--------------	---------------	---------------	--------------	---------------------------