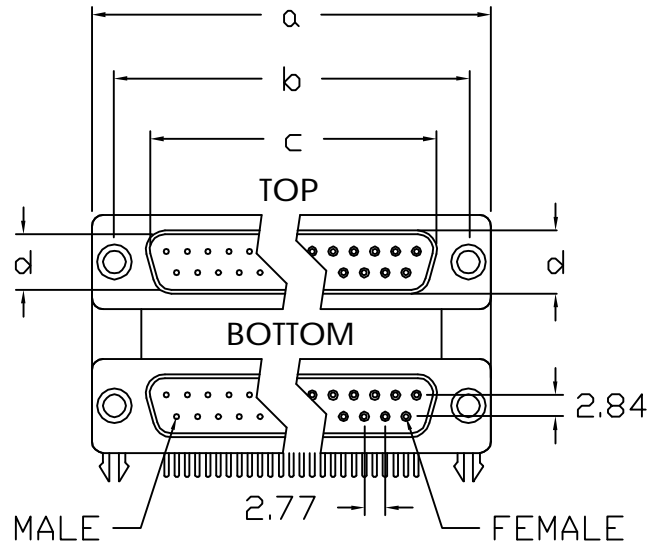
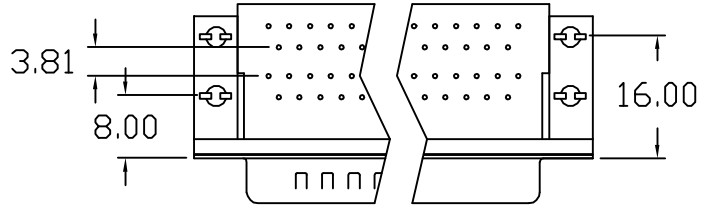
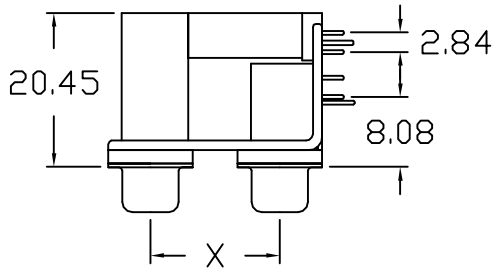


REVISION	DESCREPTION	DATE	APPD
0	SET UP	JAN/10/2003	C.Y.LIN



3009 - 01 ~ 12

MATERIAL & ELECTRICAL

SHELL : Steel Tin plated
 INSULATOR : PBT & Glass-fibre UL 94-V0
 CONTACT : Phosphor bronze
 PLATING : Gold-Plated Over Nickel
 CURRENT RATING : 5 Amp
 DIELECTRIC STRENGTH : 1000V for one minute.
 INSULATOR RESISANCE : 1000M V Min. at 500V DC.
 TEMPERATURE : -55 8C ~ +1058C

3009 Dimension (mm)		Tolerance : ±0.2			
Position	Plug (M) / Recept (F)	a	b	c	d
9	Plug (M)	30.81	24.88	16.92	8.36
	Recept (F)			16.33	7.90
15	Plug (M)	39.14	33.32	25.25	8.36
	Recept (F)			24.66	7.90
25	Plug (M)	53.04	47.04	38.96	8.36
	Recept (F)			38.38	7.90
37	Plug (M)	69.32	63.50	55.42	8.36
	Recept (F)			54.84	7.90
HD 15	Plug (M)	30.81	24.88	55.42	8.36
	Recept (F)			54.84	7.90
HD 26	Plug (M)	39.14	33.32	55.42	8.36
	Recept (F)			54.84	7.90

3009 -

TYPE (Top/Bottom)

- 01=25Male/25Male
- 02=25Male/25Female
- 02R=25Female/25Male
- 03=25Female/25Female
- 04=9Male/9Male
- 05=9Male/9Female
- 05R=9Female/9Male
- 06=9Female/9Female
- 07=15Male/15Male
- 08=15Male/15Female
- 08R=15Female/15Male
- 09=15Female/15Female
- 10=37Male/37Male
- 11=37Male/37Female
- 11R=37Female/37Male
- 12=37Female/37Female
- 13=9Female/25Female
- 14=9Male/25Female
- 15=HD 15FeMale/HD 15FeMale
- 16=25Female/HD 15Female
- 17=9Male/HD 15Female
- 18=HD 15Female/9Male
- 19=15Female/25Female
- 20=25Female/9Male x 2
- 21=25Male/9Male
- 22=25Male/9Female
- 22R=25Female/9Male
- 23=25Female/9Female
- 24=HD 26Female/HD 26Male
- 25=HD 26Female/HD 26Female

"X" SPACING

A=19.05mm

B=22.86mm

C=15.88mm

MOUNTING OPTIONS

Blank=Thread Insert, Mounting Holes

Z=Thread Insert, Board Lock

A=Thread Insert, # 4-40 Jack Screw assembly, Mounting Hole

AZ=Thread Insert, # 4-40 Jack Screw assembly, Board Lock

*Black color only

DR: RON CHEN	CHK: J.T.CHEN	APPD: C.Y.LIN
--------------	---------------	---------------



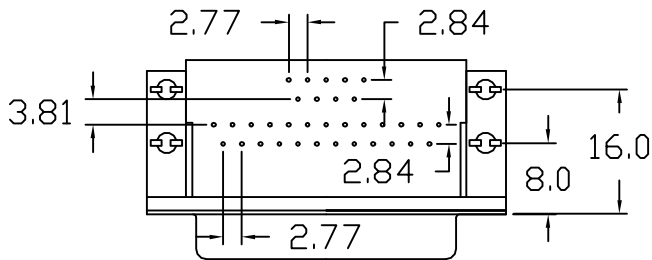
HO CHIEN ENTERPRISE CO. LTD

TITLE : DUAL PORT SERIES D-SUB PCB RIGHT ANGLE

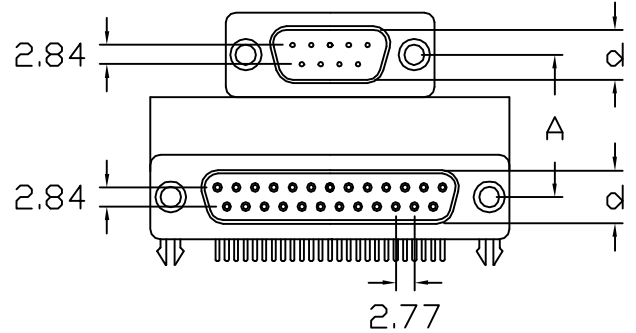
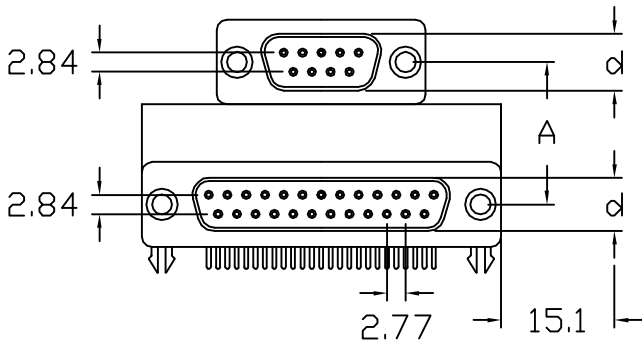
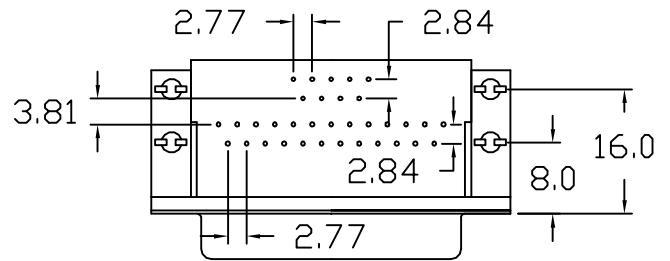
PAGE: 1 OF 1	HO CHIEN P/N. 3009 SERIES
--------------	---------------------------

REVISION	DESCREPTION	DATE	APPD
0	SET UP	JAN/10/2003	C.Y.LIN

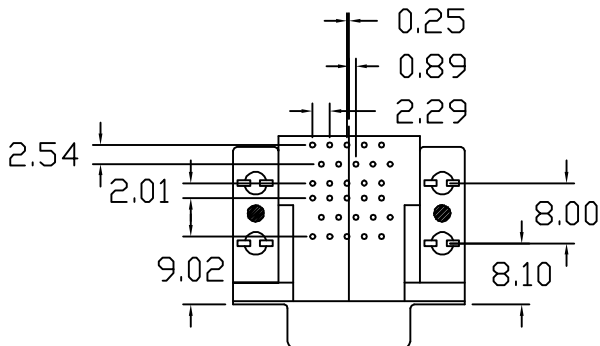
3009 - 13



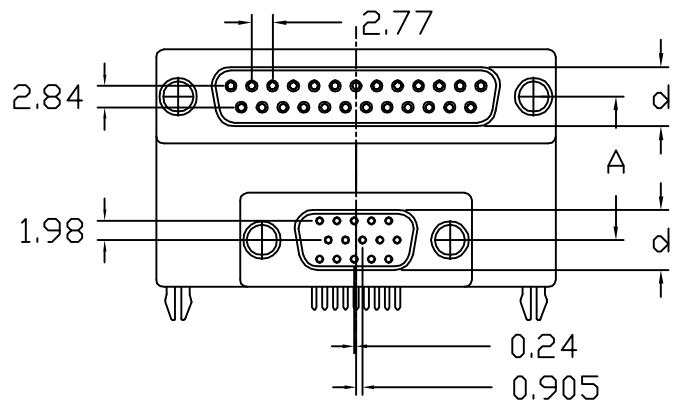
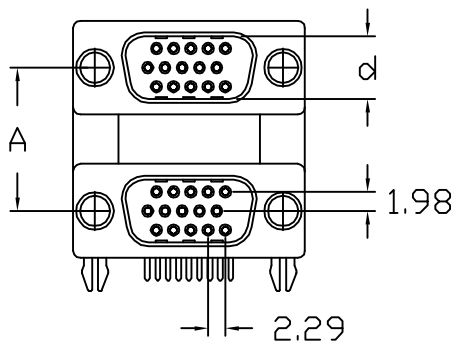
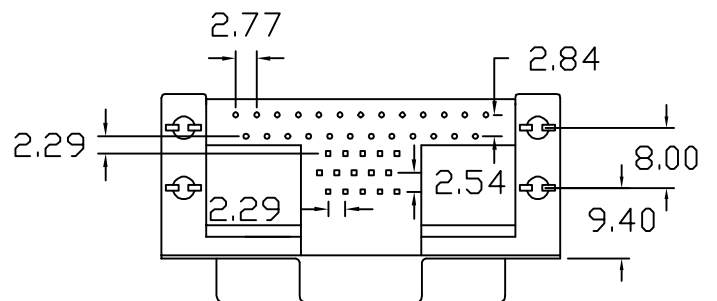
3009 - 14



3009 - 15



3009 - 16



HO CHIEN ENTERPRISE CO. LTD

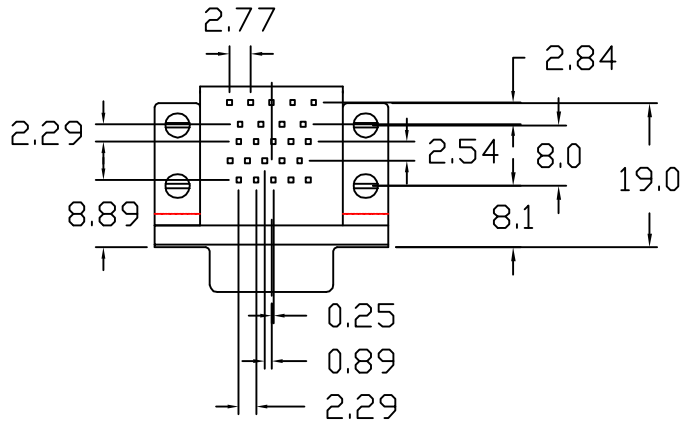
TITLE: DUAL PORT SERIES D-SUB PCB RIGHT ANGLE

DR: RON CHEN CHK: J.T.CHEN APPD: C.Y.LIN

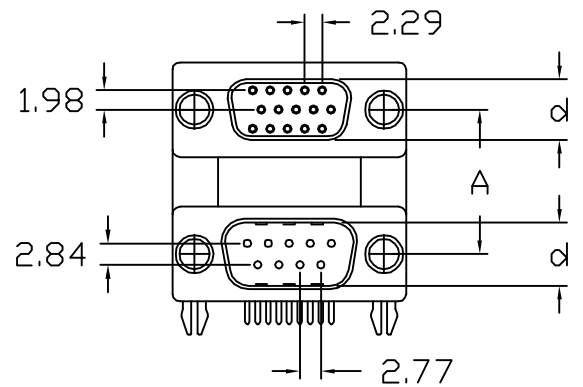
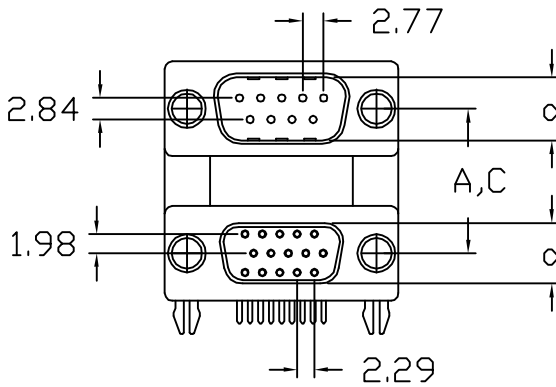
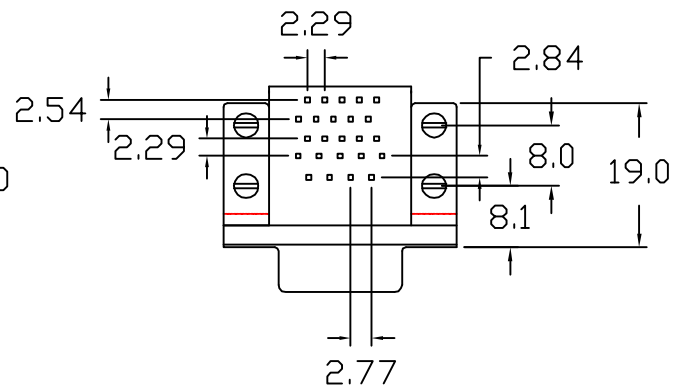
PAGE: 1 OF 1 HO CHIEN P/N. 3009 SERIES

REVISION	DESCREPTION	DATE	APPD
0	SET UP	JAN/10/2003	C.Y.LIN

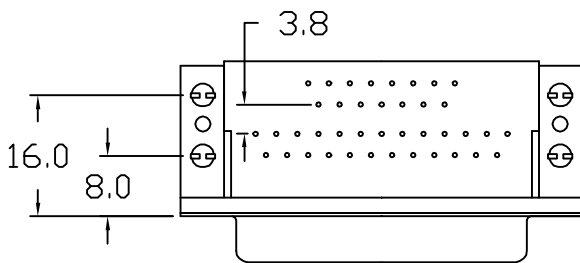
3009 - 17



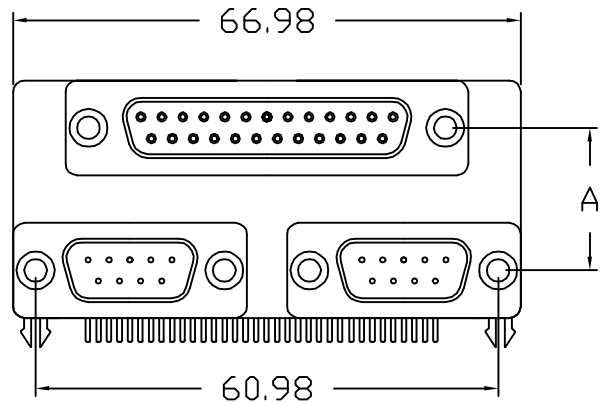
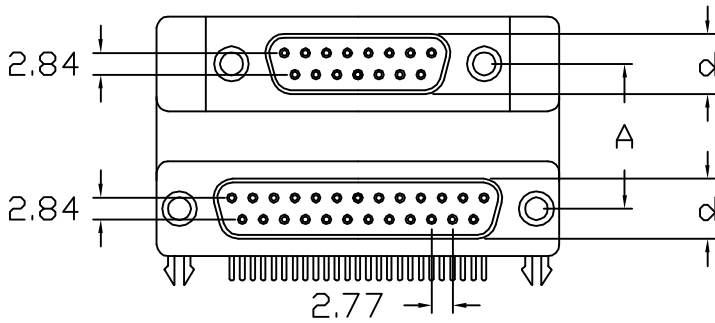
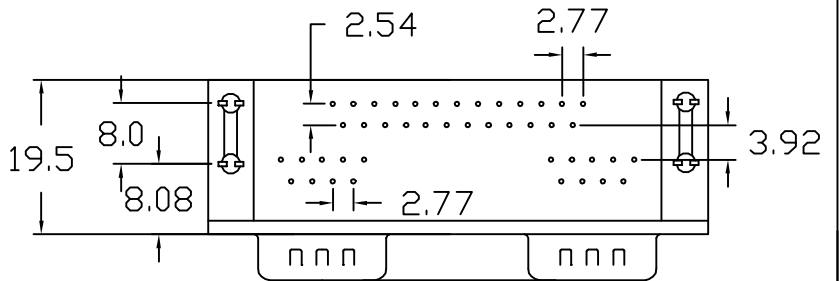
3009 - 18



3009 - 19



3009 - 20



HO CHIEN ENTERPRISE CO. LTD

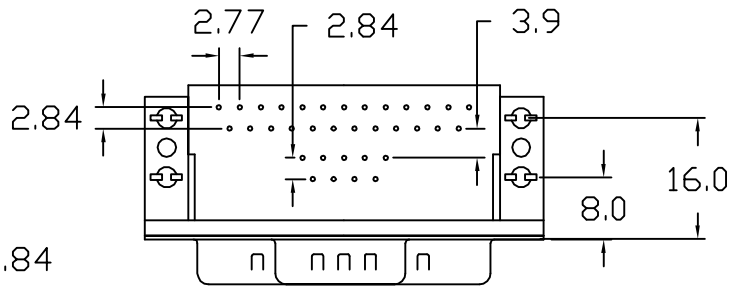
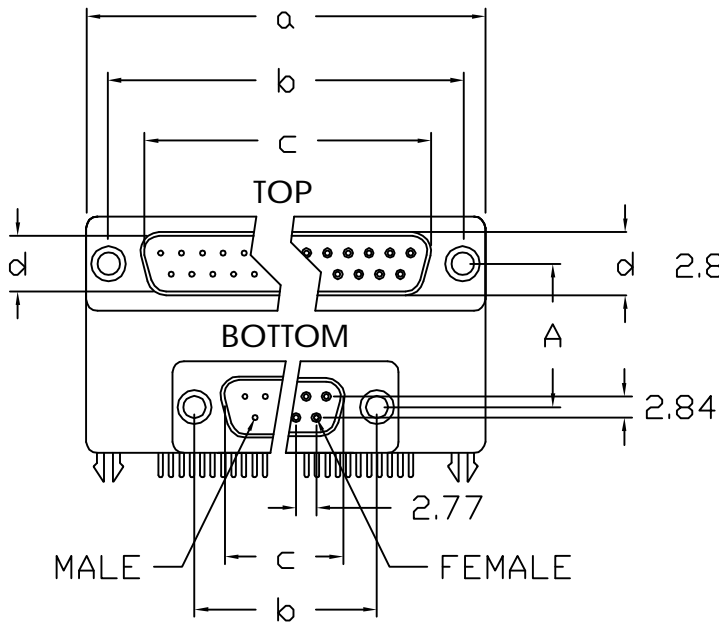
TITLE :
DUAL PORT SERIES D-SUB PCB RIGHT ANGLE

DR : RON CHEN CHK : J.T.CHEN APPD : C.Y.LIN

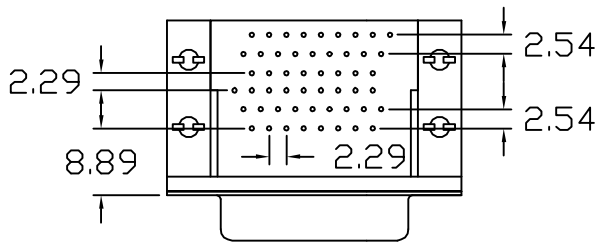
PAGE: 1 OF 1 HO CHIEN P/N. 3009 SERIES

REVISION	DESCREPTION	DATE	APPD
0	SET UP	JAN/10/2003	C.Y.LIN

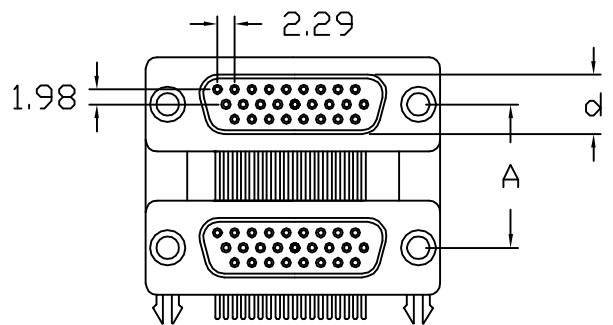
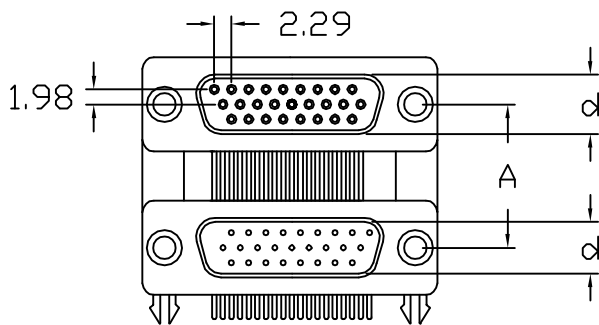
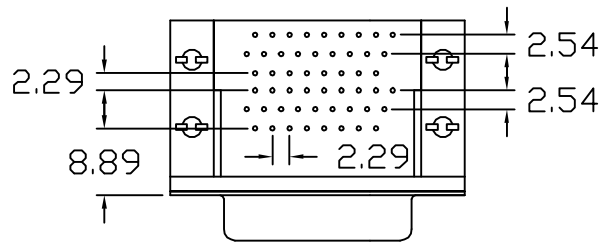
3009 - 21 ~ 23



3009 - 24



3009 - 25



HO CHIEN ENTERPRISE CO. LTD

TITLE: DUAL PORT SERIES D-SUB PCB RIGHT ANGLE

DR: RON CHEN CHK: J.T.CHEN APPD: C.Y.LIN

PAGE: 1 OF 1 HO CHIEN P/N. 3009 SERIES