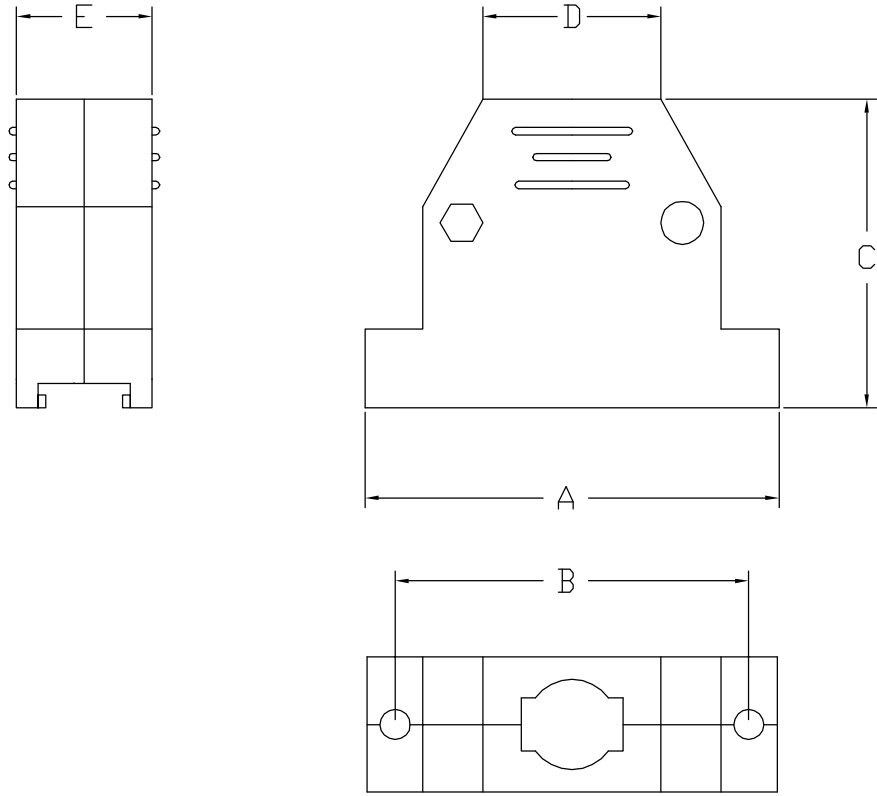
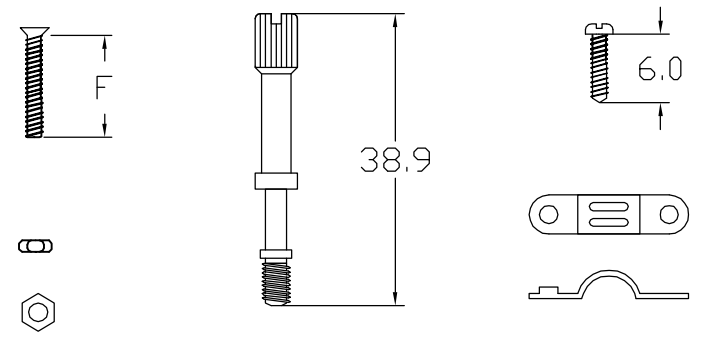


REVISION	DESCREPTION	DATE	APPD
0	SET UP	MAR/17/2000	C.Y.LIN



**KITS**



3100 - J

**NO. OF CONTACT**

- 1=9Pin
- 2=15Pin
- 5=25Pin
- 6=37Pin
- 7=50Pin

**KITS CONSIST OF a-c :**

- a. 13.0~17.0mm 4-40 thread screw 2pcs
- b. Nut 2pcs
- c. 38.9mm 4-40 thread screw 2pcs
- d. 6.0mm 4-40 thread screw 2pcs
- e. S/R=9,15pin 2pcs 25,37,50pin 1pcs

\* Black color hood only

<b>MATERIAL</b>						
HOOD : UL 94 HB ABS						
<b>Dimension ( mm )</b>						<b>Tolerance : <math>\pm 0.2</math></b>
Position	A	B	C	D	E	F
9	31.1	25.0	30.0	16.5	17.0	13.0
15	39.0	34.0	29.5	18.5	17.0	13.0
25	55.0	47.0	41.0	24.3	18.0	14.0
37	70.0	63.5	47.5	34.0	21.1	17.0
50	69.5	61.0	49.5	29.0	21.0	17.0



**TITLE :**  
D - SUB CONNECTOR PLASTIC HOOD

DR : RON CHEN	CHK : J.T,CHEN	APPD : C.Y.LIN
---------------	----------------	----------------

PAGE: 1 OF 1	HO CHIEN P/N. 3100 - J SERIES
--------------	-------------------------------