

## SPECIFICATION :

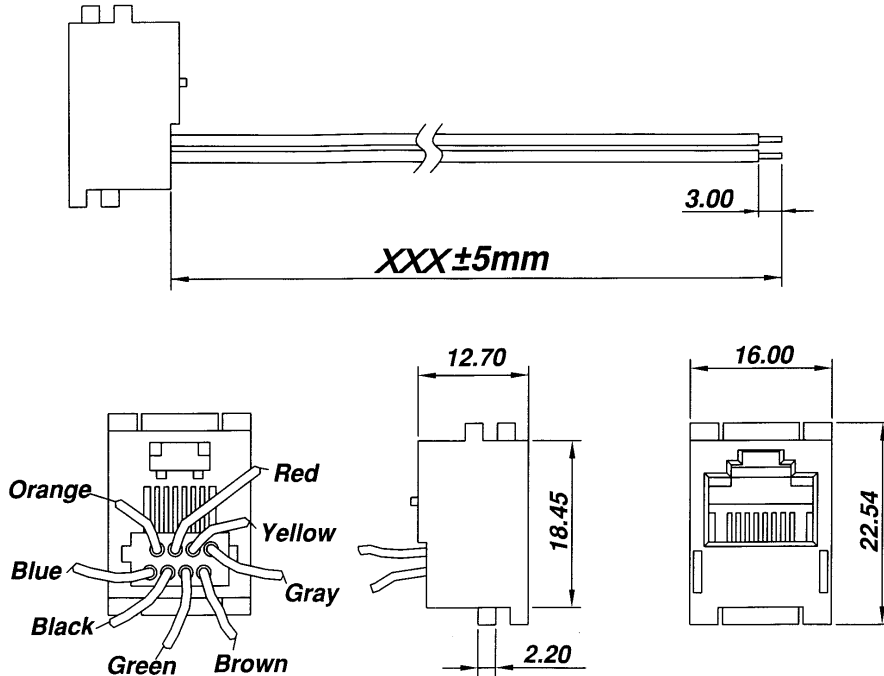
### 1. Electrical Char.

Insulation Resistance : 500M-Ohm Min.  
 Contact Resistance : 20milli-Ohm Max.  
 Rating Current : 1.5A Max.  
 Rating Voltage : 120V AC  
 Dielectric Voltage : 1,000 Vrms 60 Sec. Min.

### 2. Physical char.

Housing : ABS Resin ( UL 94V-0 )  
 Color : Black Color  
 Contact Wires : 0.45mm Dia. Phosphor bronze  
 nickel plated and with 6u gold plated.  
 Temperature Range : - 40°C / +85°C  
 Wires : UL-1061 26AWG.

RoHs Compliant



#### LEAD LENGTH :

Blue, Orange, Black, Red, Green, Yellow, Brown  
 and Gray all with  $XXX\pm 5mm$   
 (100 or 200 or 300mm)  
 The ends with S/T  $3\pm 1$  mm.

<h1>HO CHIEN</h1> <p>www.hochien.com</p>	
<b>LINE CORD SERIES</b> <b>UL &amp; cUL FILE NO. E131820</b>	
<b>MODULAR JACKS ASSY FOR</b> <b>647-F-4-XXX</b>	

NOT SCALED DRAWING	TOLERANCE UNLESS OTHERWISE NOTICE	INCH	MM	DR.	DATE
 THIRD ANGLE PROJECTION	LINEAR $\frac{MM}{INCH}$	$00\pm 0.01$ $000\pm 0.005$ $0000\pm 0.002$	$00\pm 0.25$ $000\pm 0.13$ $0000\pm 0.05$	Steven CK'D Johnson APP'D	MAR-24 '06 MAR-24 '06
		ANGLE $\pm 30'$	RADIL	$+0.45$ $-0.15$	Billy MAR-24 '06

DWG. NO.

**AS647008-1**

SCALE SIZE DWG. NO.9966 SERIES