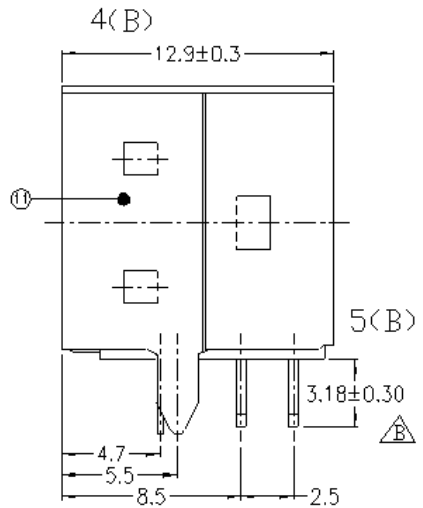
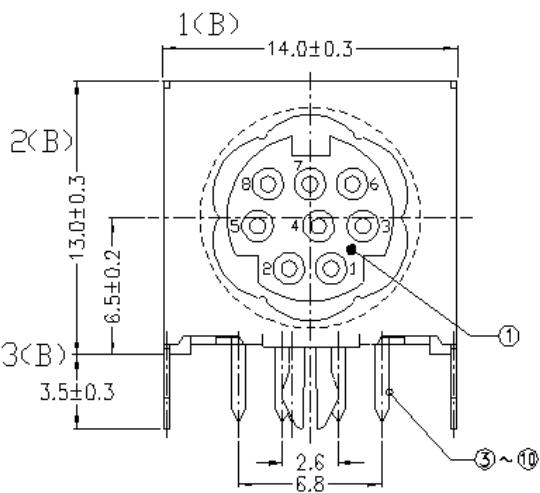
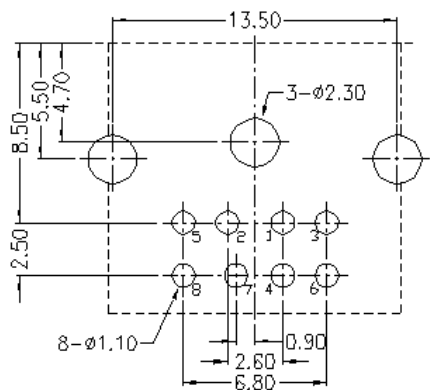
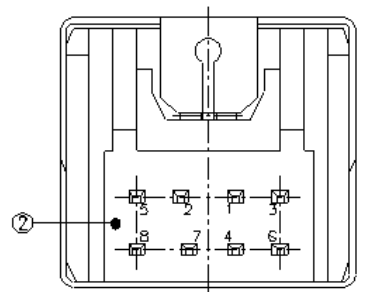


**RoHs Compliant**



\*TOLERANCE-  
±0.2 FOR ALL OTHERS



NOTE:OPTION COLORS

COLOR	PART NO.
	CJ105-8-X
BLACK	CJ105-8
G: #3295C	CJ105-8-G
PP: #275C	CJ105-8-PP

ITEM	PART NO.	NAME	MATERIAL	FINISH	QTY	NOTE
11	C105-N0A	5-SIDE SHIELD	BRASS	Tin	1	30T
10	C105-M5G	CONTACT #5	PBS	Au+Tin	1	30T
9	C105-M7G	CONTACT #7	PBS	Au+Tin	1	30T
8	C105-M6G	CONTACT #6	PBS	Au+Tin	1	30T
7	C105-M5G	CONTACT #5	PBS	Au+Tin	1	30T
6	C105-M4G	CONTACT #4	PBS	Au+Tin	1	30T
5	C105-M3G	CONTACT #3	PBS	Au+Tin	1	30T
4	C105-M2G	CONTACT #2	PBS	Au+Tin	1	30T
3	C105-M1G	CONTACT #1	PBS	Au+Tin	1	30T
2	C105-PP	SPACER	PBT	IS	1	UL94V-0
1	C105-PI-SF-X	HOUSING	PBT	SLI NOTE	1	UL94V-0

Recommended PCB Layout  
[BOTTOM VIEW]

REV. 1	93C-401	2009/01/17
REV. 2	Wos3.3, New 3.18	010422
REV. 3	DESCRIPTIONS	DATE

HO CHIEN		CJ105	
APPROVALS	DATE	REV.	DATE
MINI-DIN JACK, 8 PINS		FULLY SHIELD	
SCALE		AS SHOWN	UNIT: mm
DRAWN BY		CHKD BY	DATE
CJ105-8-X		CJ105-8-X	