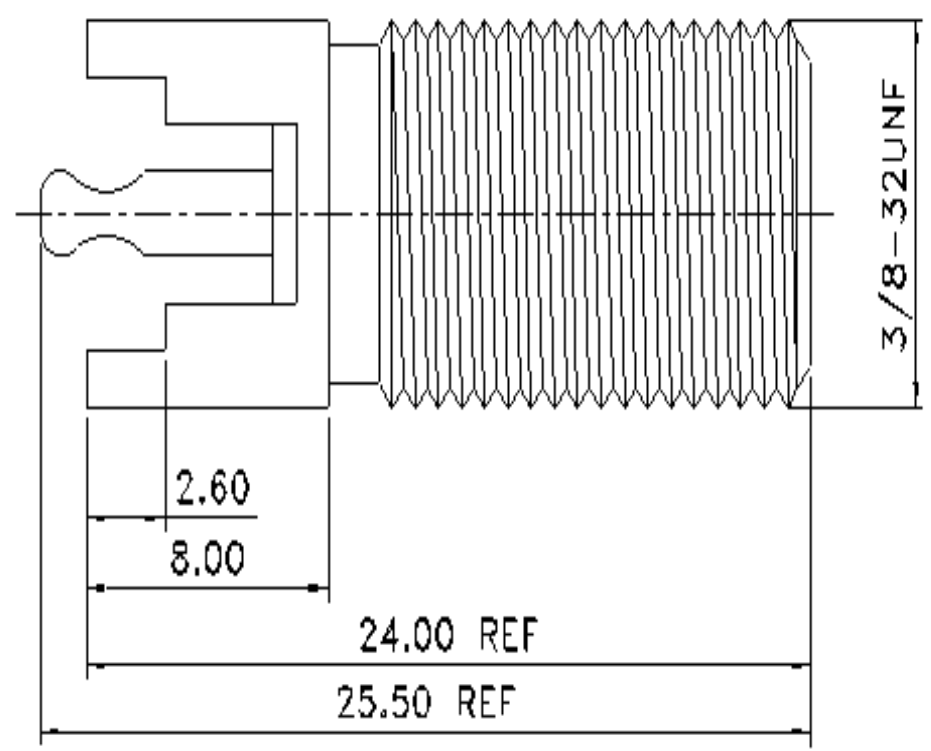
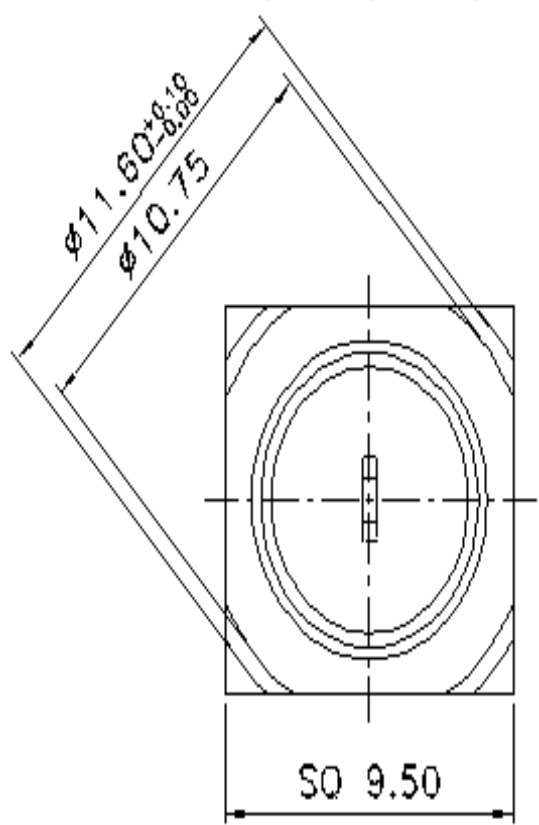


REV	DESCRIPTION	DRAWN	DATE



2	Dielectric+Pin(C-09009)	1	P.P.+Phos Bronze	Nickel
1	Body(B-09033)	1	Brass	Nickel
NO	Description	Qty	Material	Finish

UNLESS OTHERWISE SPECIFIED  
 1.REMOVE ALL BURRS.  
 2.BREAK ALL CONNERS & EDGES CO.15 MAX.  
 3.CHAMFER 1ST & LAST THREADS 45°  
 4 DIAMETERS ON COMMON CENTERS.  
 TO BE CONCENTRIC WITHIN 0.1 T.T.R.  
 5.ALL DIMENSIONS ARE AFTER PLATING.

\* MAJOR DIMENSION  
 UNLESS OTHERWISE NOTED TOLERANCES  
 0.5-6=±0.2  
 6-30=±0.4  
 30-120=±0.6  
 120-315=±1.0  
 ANGLES=±1°

APPROVED  
 CHECKED  
 DRAWN 陳怡芬  
 DRAWN DATE 03/08/02

**HO CHIEN**  
[www.hochien.com](http://www.hochien.com)  
 TITLE F FEMALE P.C. MOUNT  
 DRAWING NO. F-1616  
 FILE NO. D:\DWG\COMPOSE\F\F-1616