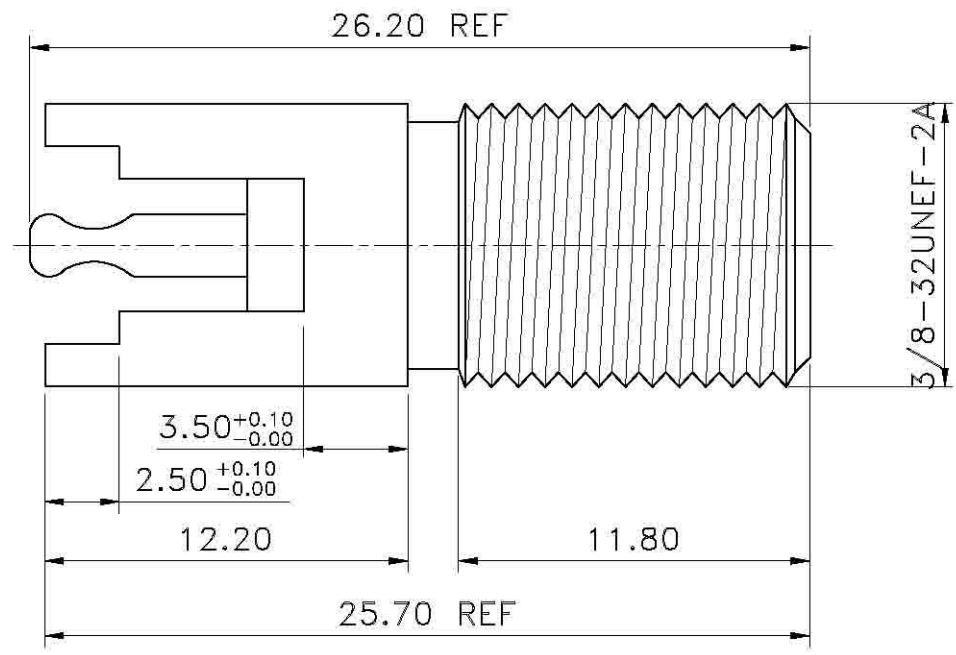
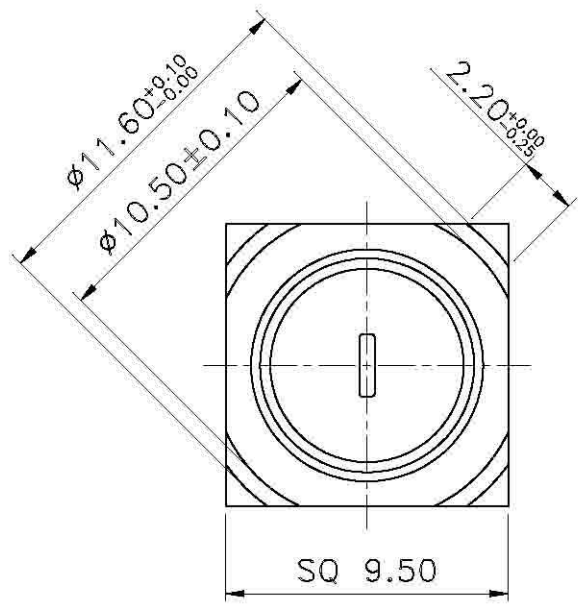


REV	DESCRIPTION	DRAWN	DATE



2	Dielectric+Pin(C-09009)	1	Delrin+Phos Bronze	Gold
1	Body(B-09015)	1	Brass	Gold
NO	Description	Q'ty	Material	Finish

UNLESS OTHERWISE SPECIFIED

- 1.REMOVE ALL BURRS.
- 2.BREAK ALL CONNERS & EDGES CO.15 MAX.
- 3.CHAMFER 1ST & LAST THREADS 45°.
- 4.DIAMETERS ON COMMON CENTERS. TO BE CONCENTRIC WITHIN 0.1 T.I.R.
- 5.ALL DIMENSIONS ARE AFTER PLATING.

\* MAJOR DIMENSION

UNLESS OTHERWISE NOTED TOLERANCES

0.5-6=±0.2  
6-30=±0.4  
30-120=±0.6  
120-315=±1.0  
ANGLES=±2°

SCALE	UNIT	MM
4/1	MM	

APPROVED

CHECKED

DRAWN

DRAWN DATE 08/29/01

 HO CHIEN ENTERPRISE CO., LTD.

TITLE F FEMALE PC MOUNT

DRAWING NO. F-1617-1

REF A

On - Line catalog: [www.hochien.com](http://www.hochien.com)