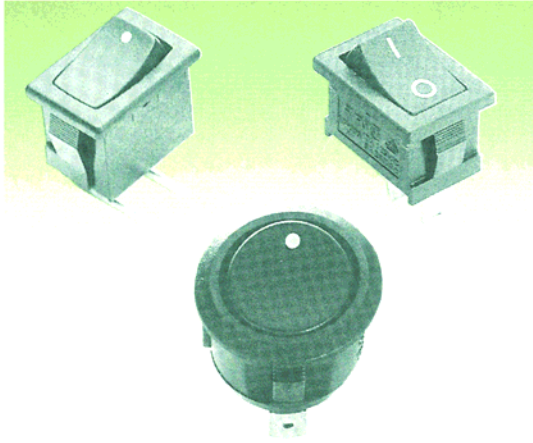


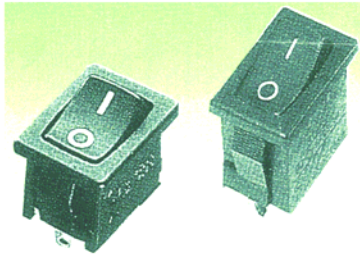
# HO CHIEN

## ROCKER SWITCH

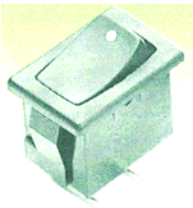
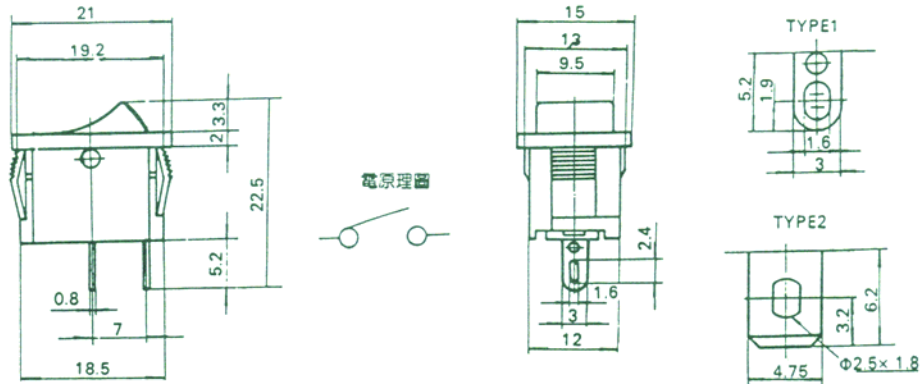


### SPECIFICATION

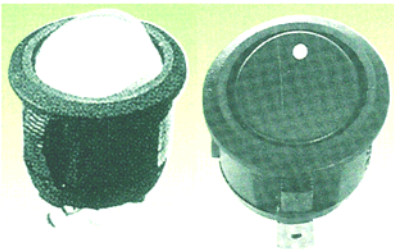
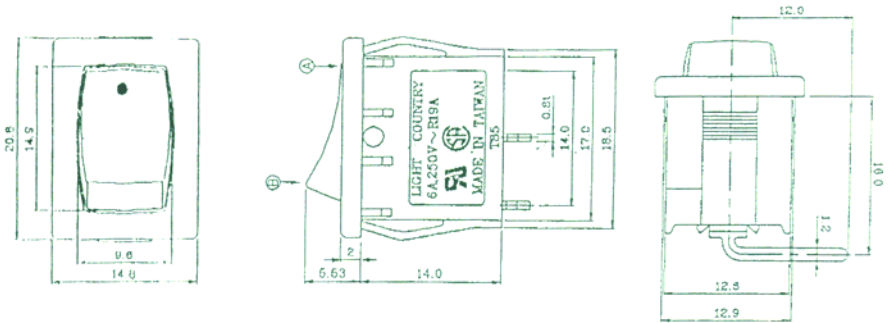
- \* Rating: 2A 250V & 6A 250V AC (Standard)  
15A 125V & 8A 250V AC
- \* Mechanical life: 30,000 Cycles.
- \* Electrical Life: 10,000 Cycles.
- \* Contact Resistance: <math><20\text{ m}\Omega</math>. (Initial)
- \* Insulation Resistance: >1,000 M $\Omega$ .
- \* Dielectric Strengths: >1,500 Volts 1 Minute.  
>3,000 Volts Between Poles.



HF-606 SERIES



RA12KKAROF



W/LAMP (ON-OFF-ON)

