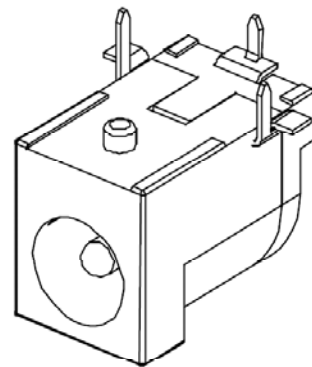
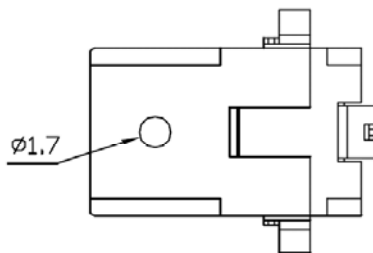
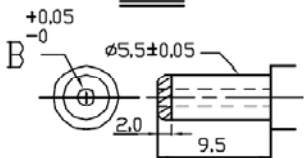


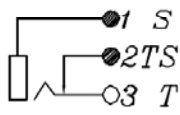
P.C.B. LYOUT(±0.1)  
(BOTTOM VIEW)



PLUG



P/N	Dimension	
	A	B
LD-0220-2.0	φ2.0	φ2.05
LD-0220-2.5	φ2.5	φ2.55



NO	PART NAME	Q'TY	MATERIAL	PLATED	COLOR
6	COVER	1	PA46		BLACK
5	HOUSING	1	PA46		BLACK
4	PIN	1	BRASS	NICKEL	
3	TIP	1	P.B.S	TIN	
2	TIP SHUNT	1	BRASS	TIN	
1	TERMINAL	1	BRASS	TIN	

REVISION  
2(02/02/04')

HO CHIEN  
www.hochien.com

TOLERANCE	PART NAME	DC JACK
X. ±0.5	PART NO.	LD-0220-
X.X ±0.3		(SMT)
X.XX ±0.15	SCALE: 3/1	UNIT
	DATE	DRAW
	CHECK	APPROVE
	M/M	01/09/03'
	LEE	VEN-CHENG