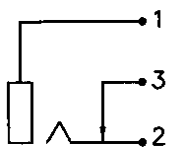
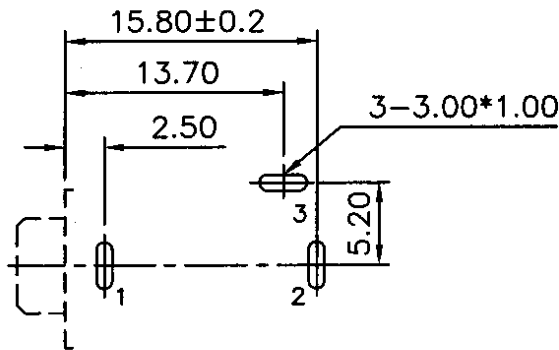
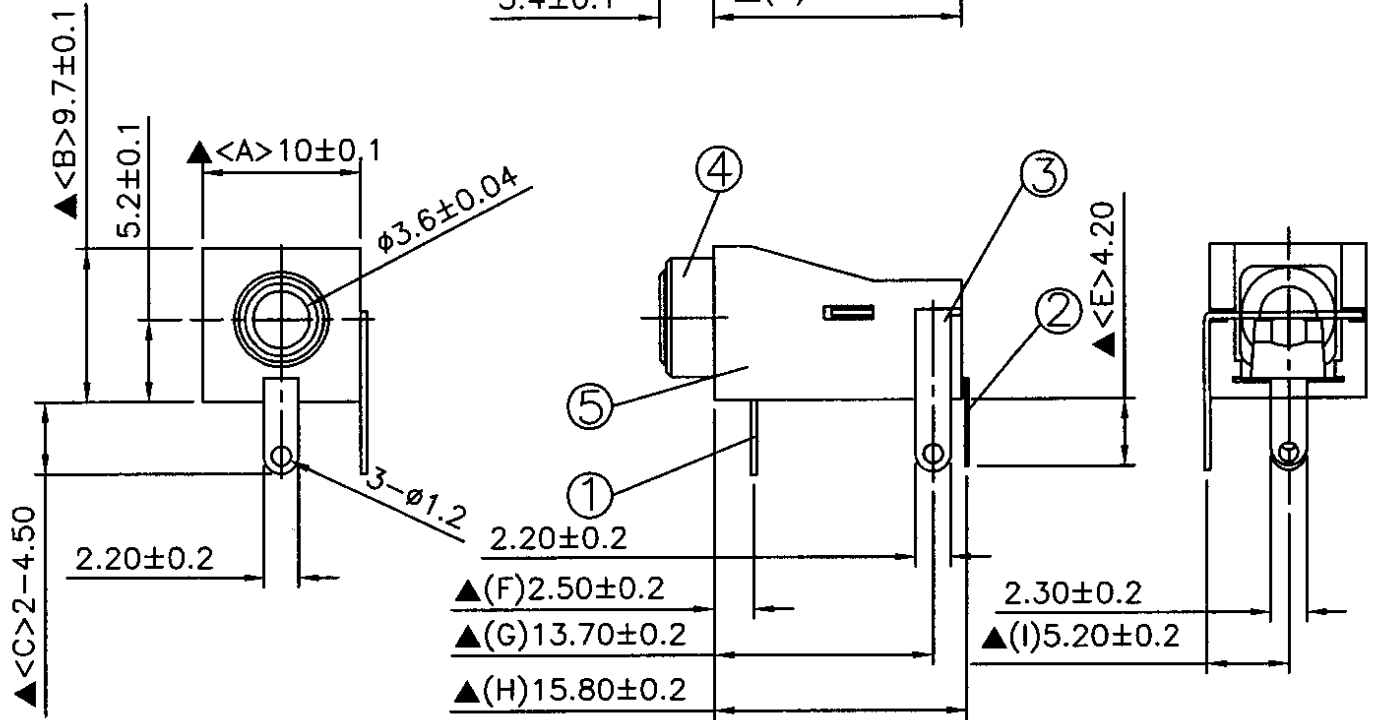


SCHEMATIC



W/O THREAD



Pin Hole layout
(Jack Bottom View)

RoHs Compliant

5.	Housing	POM	1	Black Color
4.	Barrel(W/O Thread)	Brass	1	Nickel Plated
3.	Break Terminal	0.4T Brass	1	Silver Plated
2.	Tip Spring	0.2T Phosphor Bronze	1	Silver Plated
1.	Earth Terminal	0.4T Brass	1	Silver Plated
NO.	Description	Material	Q'TY	Finish

SPECIFICATIONS:

Contact Resistance : 30mΩ max
 Insulation Resistance : 100MΩ min. at DC 500V
 Dielectric Withstanding Voltage: AC 500V for one minute
 Remark: ▲: The Most Important Dimension

HO CHIEN www.hochien.com		DATE	DWN	CHKD	APVD	MANAGER
		12.02.2005	易愛娣	林芳	林芳	林芳
PART NAME : 3.5φ PHONE JACK			PART NUMBER: SCJ324M2NYS0BB0G			VERSION: 2.0

TOLERANCE : ±0.3mm UNLESS OTHERWISE SPECIFIED	UNIT:mm	SCALE:/
---	---------	---------