

3.5Ø PHONE JACK

HO CHIEN

SCJ324 SERIES

Dimension (m/m)

Pin Hole Layout (Jack Bottom View)



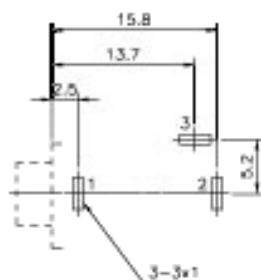
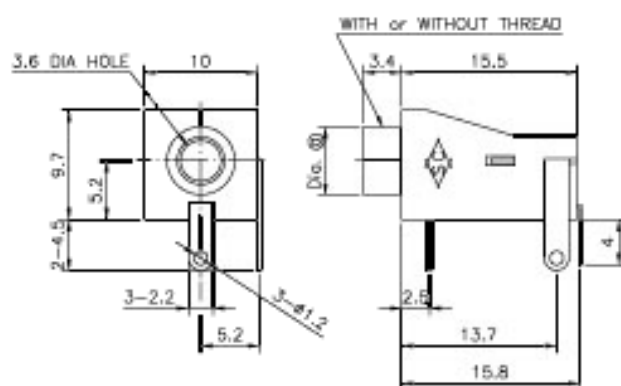
SCJ 324M0



SCJ 324M1



SCJ 324M2

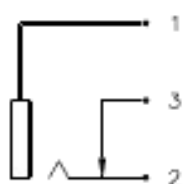


Schematic Code

Model No.

Bushing Dia. (a)

Metric Thread



SCJ324M0

Ø6.0mm

×

SCJ324M1

Ø6.0mm

M6X P0.5

SCJ324M2

Ø7.5mm

×

Y

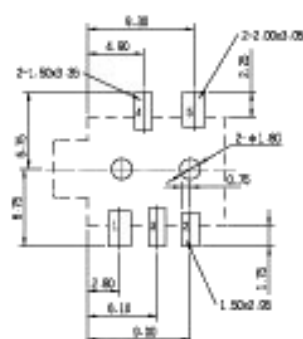
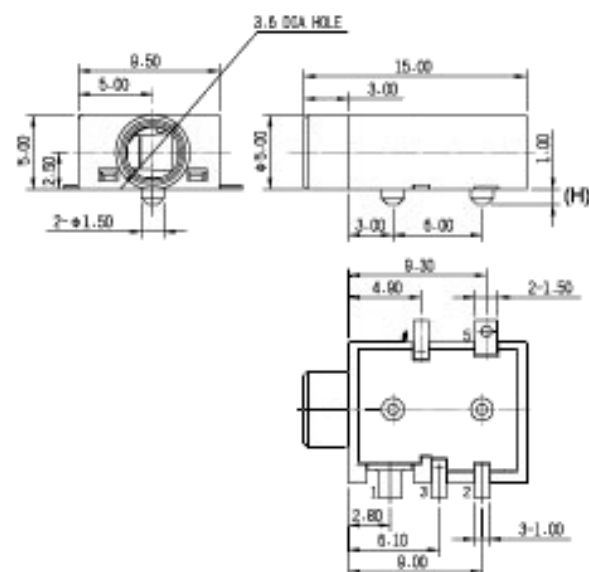
SCJ325 SERIES

Dimension (m/m)

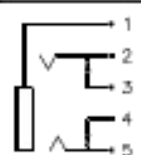
Pin Hole Layout (Jack Bottom View)



SCJ 325



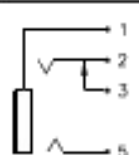
Schematic Code



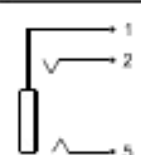
U



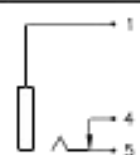
V



W



X



Y



Z