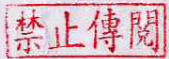
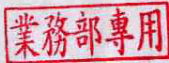
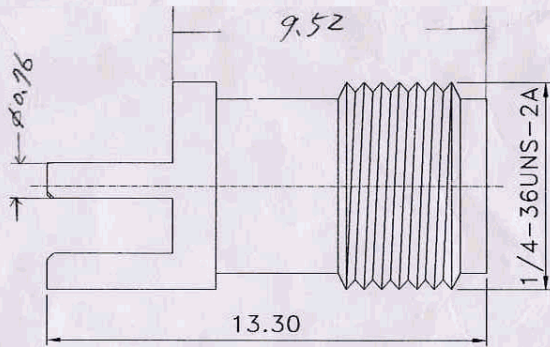
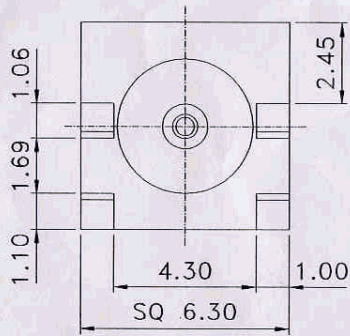


REV	DESCRIPTION	DRAWN	DATE



3	Dielectric(T-00028)	1	Teflon	None
2	Pin(C-00036-PB)	1	Phos Bronze	Gold
1	Body(B-00032)	1	Brass	Gold
NO	Description	Q'ty	Material	Finish

* MAJOR DIMENSION
UNLESS OTHERWISE NOTED TOLERANCES
0.5-6=±0.2
6-30=±0.4
30-120=±0.6
120-315=±1.0
ANGLES=±1°

APPROVED 黃中川
CHECKED
DRAWN 陳怡芬

HO CHIEN
WWW.HOCHIEN.COM
TITLE SMA FEMALE P.C.B. MOUNT
DRAWING NO. SMA-1024-1-TGG
REV A

SCALE 6/1 UNIT MM DRAWN DATE 10/19/01 FILE NO. D:\DWG\COMPOSE\SMA\SMA-1024-1-TGG