

## ETB10 SERIES

E133988(R) LR100420



### SPECIFICATIONS

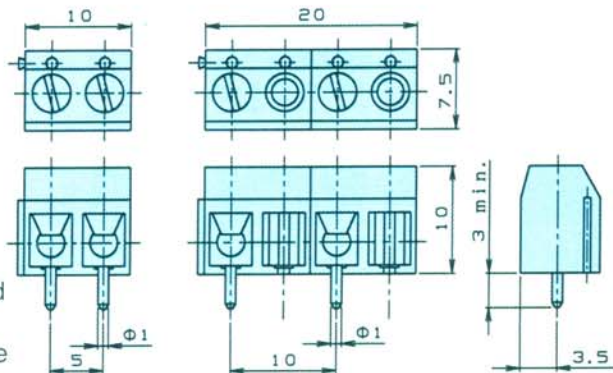
- Pitch 5.0mm,10.0mm
- Wire range 14AWG to 24AWG
- No. of pole per Block 2 or 3
- Rated 16Amp,300VAC
- Housing Polyamide 66,Blue
- Terminals Tin plated over Zinc Alloy
- Screws M2.6×0.45P, Yellow Chromated
- Wire protector Zinc plated over Steel
- Ni plated over Phosphor Bronze

ETB 10 \*\*

Pitch=5.0mm

ETB 10 \*\* 1

Pitch=10.0mm



## ETB11 SERIES

E133988(R) LR100420



### SPECIFICATIONS

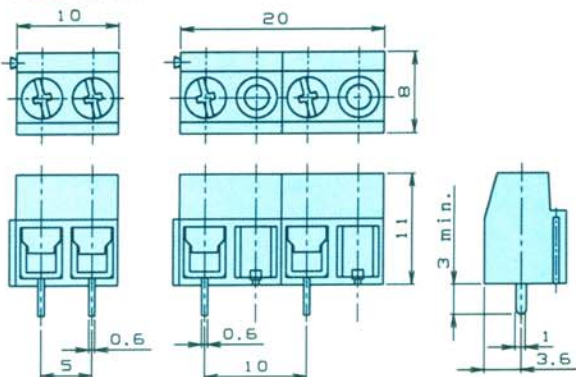
- Pitch 5.0mm,10.0mm
- Wire range 14AWG to 24AWG
- No. of pole per Block 2 or 3
- Rated 8Amp,300VAC
- Housing Polyamide 66,Blue
- Terminals Tin plated over Brass
- Screws M2.6×0.45P, Yellow Chromated
- Wire protector Zinc plated over Steel
- Stainless Steel

ETB 11 \*\*

Pitch=5.0mm

ETB 11 \*\* 1

Pitch=10.0mm



## ETB12 SERIES

E133988(R) LR100420



### SPECIFICATIONS

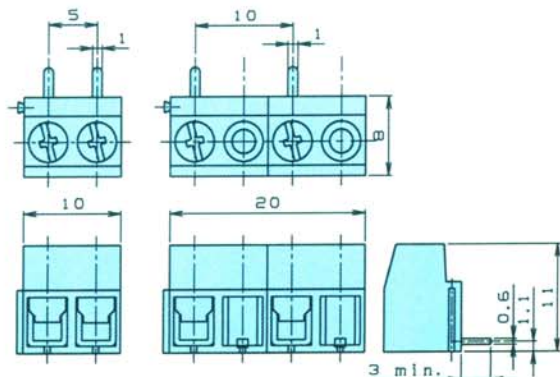
- Pitch 5.0mm,10.0mm
- Wire range 14AWG to 24AWG
- No. of pole per Block 2 or 3
- Rated 8Amp,300VAC
- Housing Polyamide 66,Blue
- Terminals Tin plated over Brass
- Screws M2.6×0.45P, Yellow Chromated
- Wire protector Zinc plated over Steel
- Stainless Steel

ETB 12 \*\*

Pitch=5.0mm

ETB 12 \*\* 1

Pitch=10.0mm



mm to inch

mm	0.6	1	1.1	3	3.5	3.6	5	7.5	8	10	11	20							
inch	0.024	0.039	0.043	0.118	0.138	0.142	0.197	0.295	0.315	0.394	0.433	0.787							

\*\* NUMBER OF POLE 02-30.