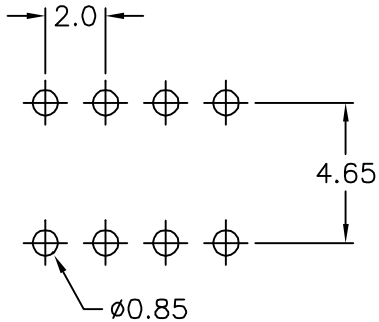
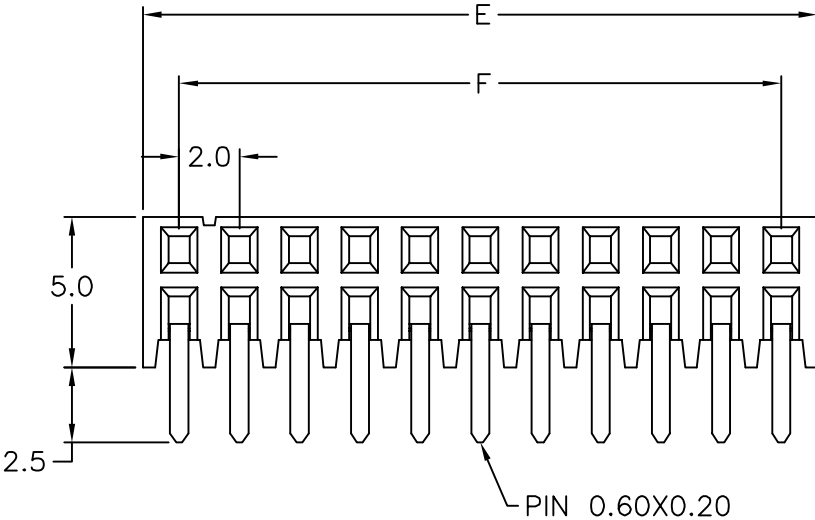
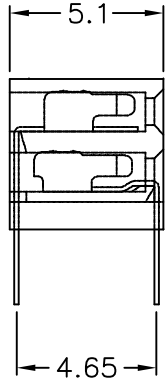
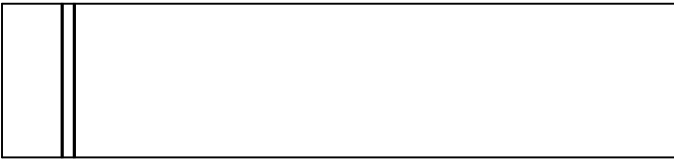


REVISION	DESCREPTION	DATE	APPD
0	SET UP	MAR/18/2005	C.Y.LIN



P.C.Board Layout

2204 - 2 x □□ □
 NO. OF CONTACT 3 ~ 24 pos
 CONTACT PLATING Blank=Gold plated
 T=Tin plated
 TYPE _____
 R=Right Angle
 M=S.M.T
 * Black color only

Dimension (mm)	3 to 24 pos. avail. per row
Tolerance : ± 0.20	
E	2.00 x No. of position per Row
F	2.00 x No. of position per Row - 2.00

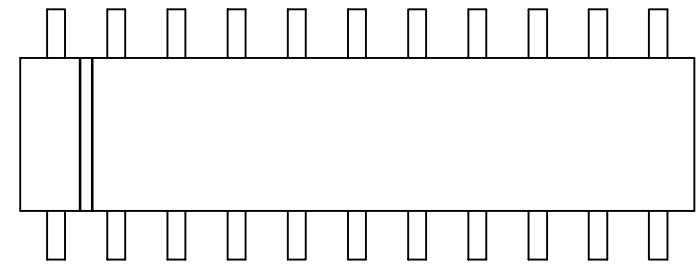
MATERIAL & ELECTRICAL
 INSULATOR : Nylon 6T UL 94-V0
 CONTACT : Phosphor Bronze
 CURRENT RATING : 2 Amp
 CONTACT RESISTANCE : 20m Ω Max. at 100mA DC
 INSULATOR RESISTANCE : 1000M Ω Min. at 500V DC
 TEMPERATURE : -40 $^{\circ}$ C ~ +105 $^{\circ}$ C

 HO CHIEN ENTERPRISE CO. LTD

TITLE : 2.00mm x 2.00mm FEMALE HEADER, DUAL ROW, RIGHT ANGLE

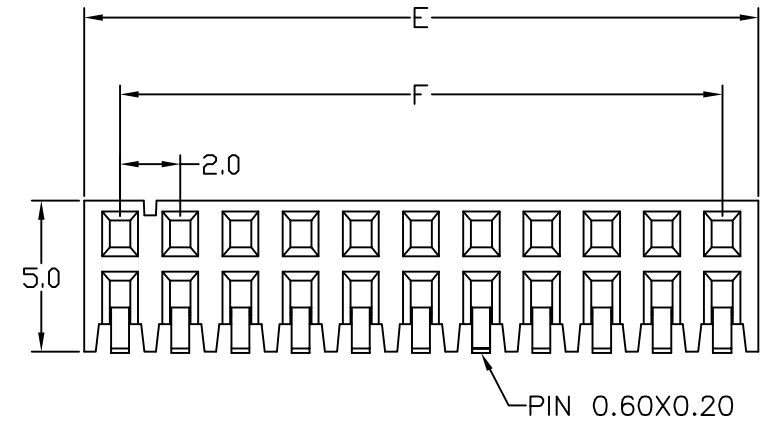
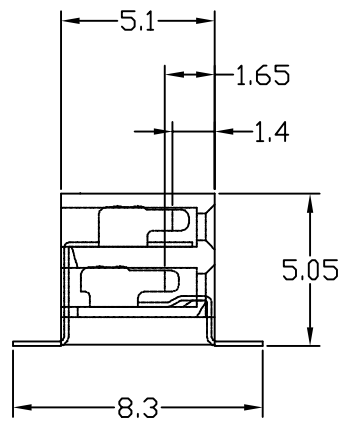
DR : RON CHEN	CHK : J.T.CHEN	APPD : C.Y.LIN	PAGE : 1 OF 1	HO CHIEN PIN NO. 2204 - 2 x □□ R
---------------	----------------	----------------	---------------	----------------------------------

REVISION	DESCREPTION	DATE	APPD
0	SET UP	MAR/18/2005	C.Y.LIN

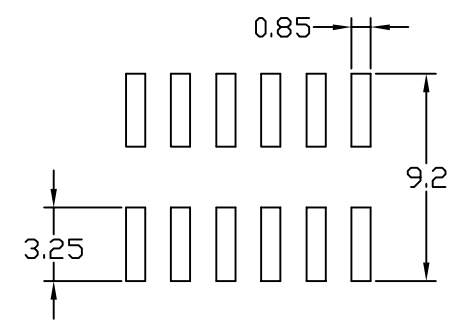


2204 - 2 x

NO. OF CONTACT _____
 3 ~ 24 pos
 CONTACT PLATING _____
 Blank=Gold plated
 T=Tin plated
 TYPE _____
 R=Right Angle
 M=S.M.T
 * Black color only



Dimension (mm)	
Tolerance : ± 0.20	
E	2.00 x No. of position per Row
F	2.00 x No. of position per Row - 2.00



P.C.Board Layout

MATERIAL & ELECTRICAL
 INSULATOR : Nylon 6T UL 94-V0
 CONTACT : Phosphor Bronze
 CURRENT RATING : 2 Amp
 CONTACT RESISTANCE : 20m V Max. at 100mA DC
 INSULATOR RESISTANCE : 1000M V Min. at 500V DC
 TEMPERATURE : -40°C ~ +105°C

 HO CHIEN ENTERPRISE CO. LTD

TITLE : 2.00mm x 2.00mm FEMALE HEADER, DUAL ROW, S.M.T. TYPE

DR: RON CHEN	CHK: J.T,CHEN	APPD: C.Y.LIN	PAGE: 1 OF 1	HO CHIEN PIN NO. 2204 - 2 x <input type="checkbox"/> <input type="checkbox"/> M
--------------	---------------	---------------	--------------	---