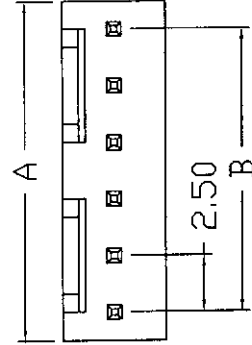
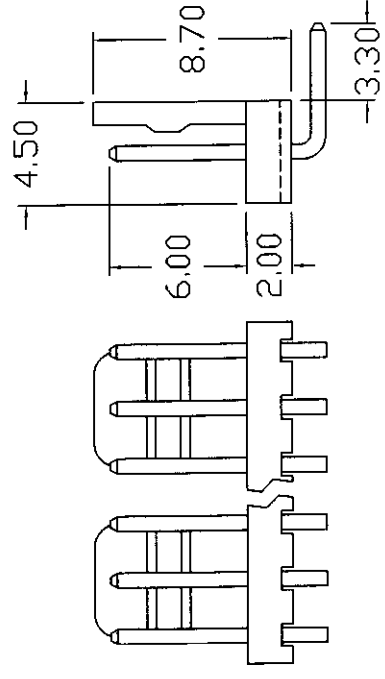
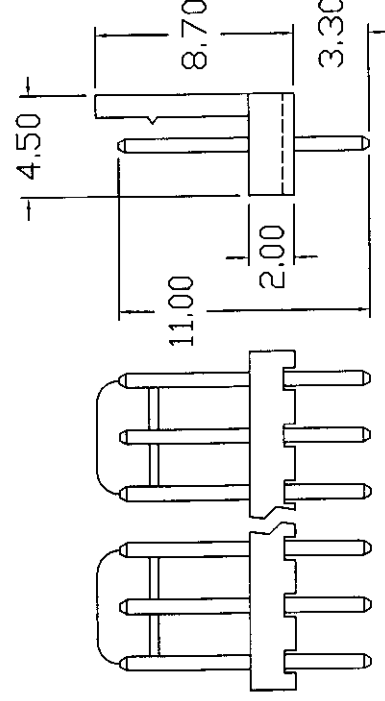
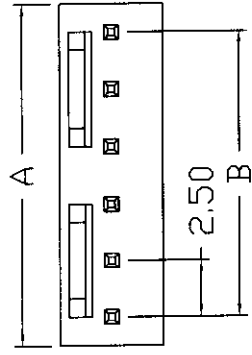


2504 - □□



2505 - □□



Dimension (mm) Tolerance : ±0.2

Position	A	B	Position	A	B
2	5.00	2.50	12	30.00	27.50
3	7.50	5.00	13	32.50	30.00
4	10.00	7.50	14	35.00	32.50
5	12.50	10.00	15	37.50	35.00
6	15.00	12.50	16	40.00	37.50
7	17.50	15.00	17	42.50	40.00
8	20.00	17.50	18	45.00	42.50
9	22.50	20.00	19	47.50	45.00
10	25.00	22.50	20	50.00	47.50
11	27.50	25.00			

MATERIAL & ELECTRICAL
 VOLTAGE RATING : AC 250V, DC 350V
 CURRENT RATING : AC, DC, 2A
 WITHSTAND VOLTAGE : 1000V AC/minute
 INSULATION RESISTANCE : 1000MΩ min.
 TEMPERATURE RANGE : -25°C ~ +85°C
 APPLICABLE PC BOARD THICKNESS : .063" (1.6mm)
 CONTACT RESISTANCE : Initial Value/10mΩ min.
 After environmental testing/20mΩ max.



HO CHIEN ENTERPRISE CO., LTD

TITLE: .098" (2.5mm) CENTER SERIES

DR: RON CHEN

CHK: J.T.CHEN

APPD: C.Y.LIN

PAGE: 1 OF 1

HO CHIEN PIN: 2504 & 2505 SERIES