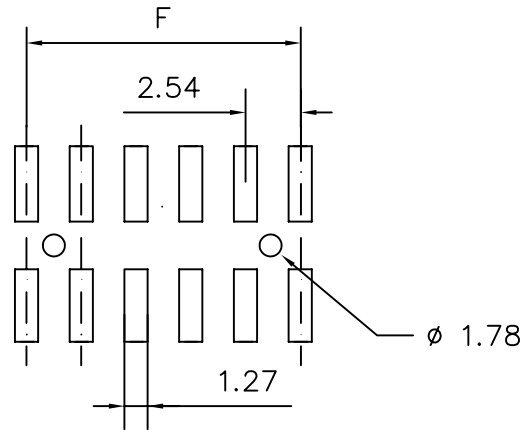
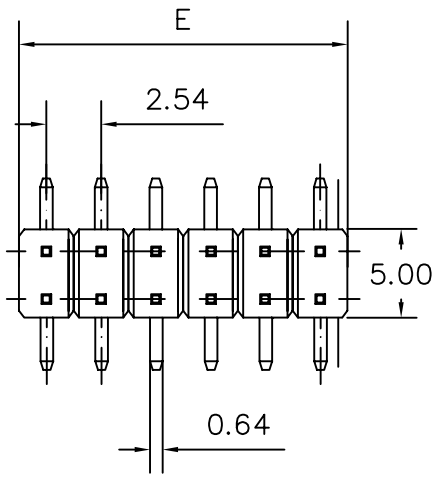
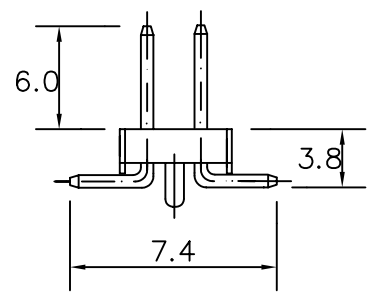
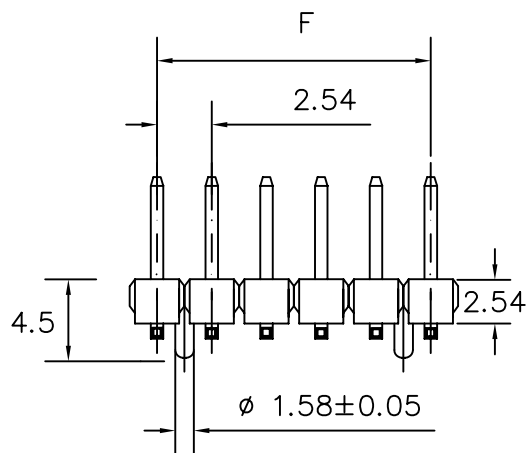


HO CHIEN P/N. 2542M - 2 x □ -P

REVISION	DESCREPTION	DATE	APPD
0	SET UP	AUG/22/2007	C.Y.LIN



P.C.Board Layout



2542M - 2 x □ □ □ -P

S.M.T _____

NO. OF CONTACT _____

2 ~ 40 pos

CONTACT PLATING _____

G=Gold plated

T=Tin plated

TPYE _____

Blank=Tube without peg

TC=Tube+CAP

TRC=T/R+CAP

WITH PEG _____

* Black color only

Dimension (mm)	2 to 40 pos. avail. per row
Tolerance : ± 0.2	
E	2.54 x No. of position per Row
F	2.54 x No. of position per Row - 2.54

MATERIAL & ELECTRICAL

INSULATOR : Nylon 6T UL 94-V0

CONTACT : Brass

PLATING : Gold flash plated over nickel

CURRENT RATING : 1 Amp

CONTACT RESISTANCE : 20m Ω Max. at 100mA DC

INSULATOR RESISTANCE : 500M Ω Min. at 500V DC

TEMPERATURE : -55°C ~ +105°C

 **HO CHIEN ENTERPRISE CO. LTD**

TITLE : 2.54mm CENTER UN-SHROUDED HEADER STRIP
SMT TYPE: DUAL ROW

DR: RON CHEN	CHK: J.T.CHEN	APPD: C.Y.LIN	PAGE: 1 OF 1	HO CHIEN P/N. 2542M - 2 x □ -P
--------------	---------------	---------------	--------------	--------------------------------