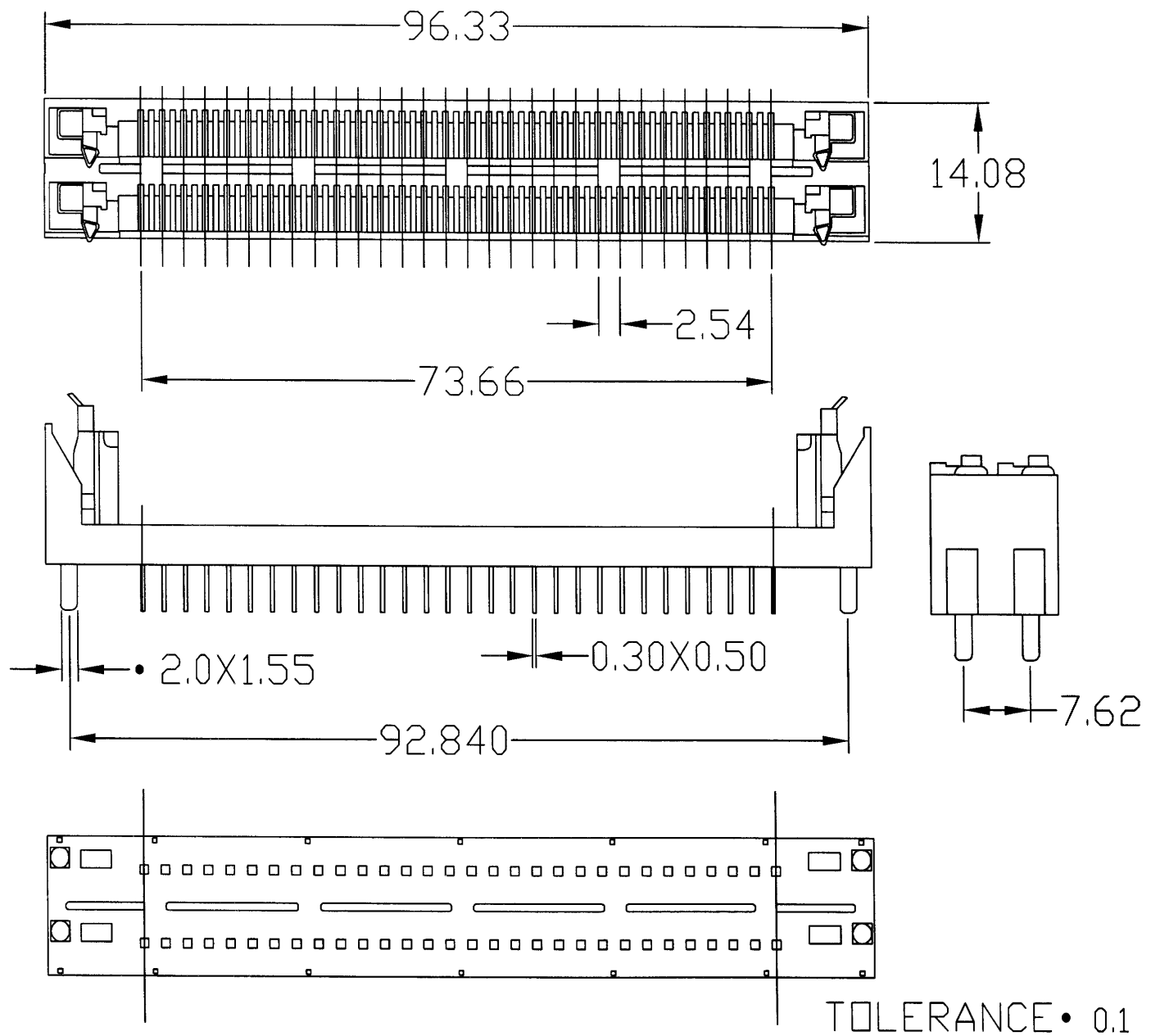




HO CHIEN
ENTERPRISE CO., LTD.
 TEL : 886-2-29953505-9
 FAX : 886-2-29953167
 29950360

2561 SIMM SOCKET

2561-2X30T-3M



NOTE :

- 1. Material
- Housing : Glass Filled
Liquid Crystal Polymer
UL 94V-0
- Rated (PCT+PBT45%)
- Contact :
Phosphor Bronze Post
Plated
- 2. Finish
- Contact : 150 Micro
Inches Tin/Lead Over
50 Micro Inches Nickel
- 3. Contact Retention
Force : 21bs (min)

TOLERANCE • 0.1