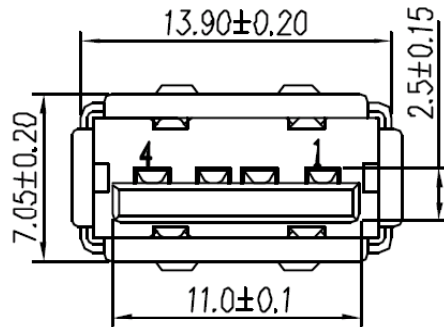
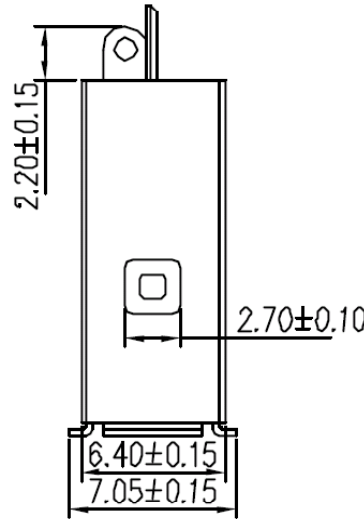
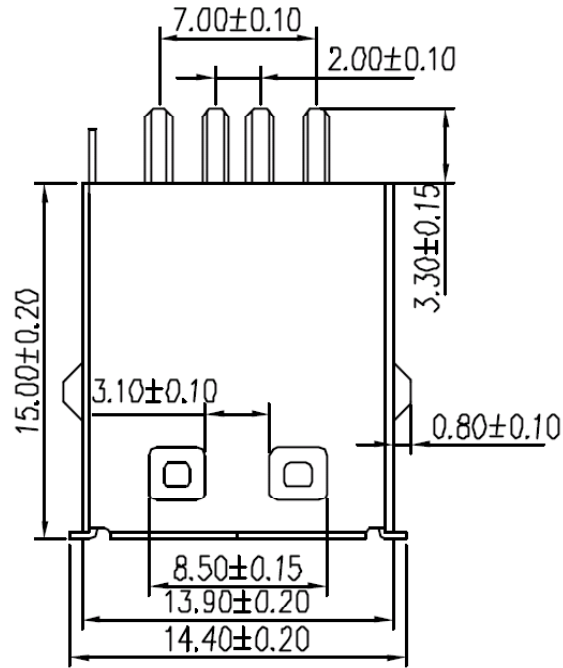


REV.	EGN NO	LOCATIONS	DESCRIPTION	DATE	REVISER	APPD



Note:

1. Material:

- 1.1 Insulator: P.B.T UL 94-V0 rated.
- 1.2 Contact: Copper alloy, t=0.25mm.
- 1.3 Shell: Copper alloy, t=0.30mm.
- 1.4 Hood: Cold rolled steel, t=0.30mm.

2. Specification:

- 2.1 Current rating: 1 A Max.
- 2.2 Dielectric withstanding voltage: 500 V(ac) for 1 minute.
- 2.3 Contact resistance: 30 mW Max.
- 2.4 Insulation resistance: 1000 MW Min at DC 500V.
- 2.5 Total mating force: 3.57 Kgf Max.
- 2.6 Total unmating force: 1.02 Kgf Min.
- 2.7 Temperature range: -55°C~+105°C

3. Finishes:

- 3.1 contacts: Gold flashed 1u", 3u", 5u", 10u", 15u", 30u".
- 3.2 Shell: Nickel plated.

4	Hood	1	Cold rolled steel	T=0.30mm	Nickel Plated
3	Shell	1	Copper alloy	T=0.30mm	Nickel Plated
2	Contact	4	Copper alloy	T=0.25mm	Gold Flashed
1	Housing	1	P.B.T	UL 94-V0	Black/Ivory
No.	Name	Qty	Material	Remarks & Thickness	Finish

PART NO:		MATERIAL:		<b>HO CHIEN</b> www.hochien.com		
MODEL NO:		FINISH:				
UNIT:	SIZE: A4	COLOR:		PART NAME:		
TOLERANCE UNSPECIFIED		DR: 蔡各 15/06/10		USB-A TYPE SOLDER 加外套(F)		
.x	±0.3	CHK: Song 15/06/10		DWG NO: 281		REV: A1
.xx	±0.20	APP: Kent 15/06/10		SCALE: 3:1		SHEET: 1 of 1
.xxx	±0.100					
.ANG	±1'					