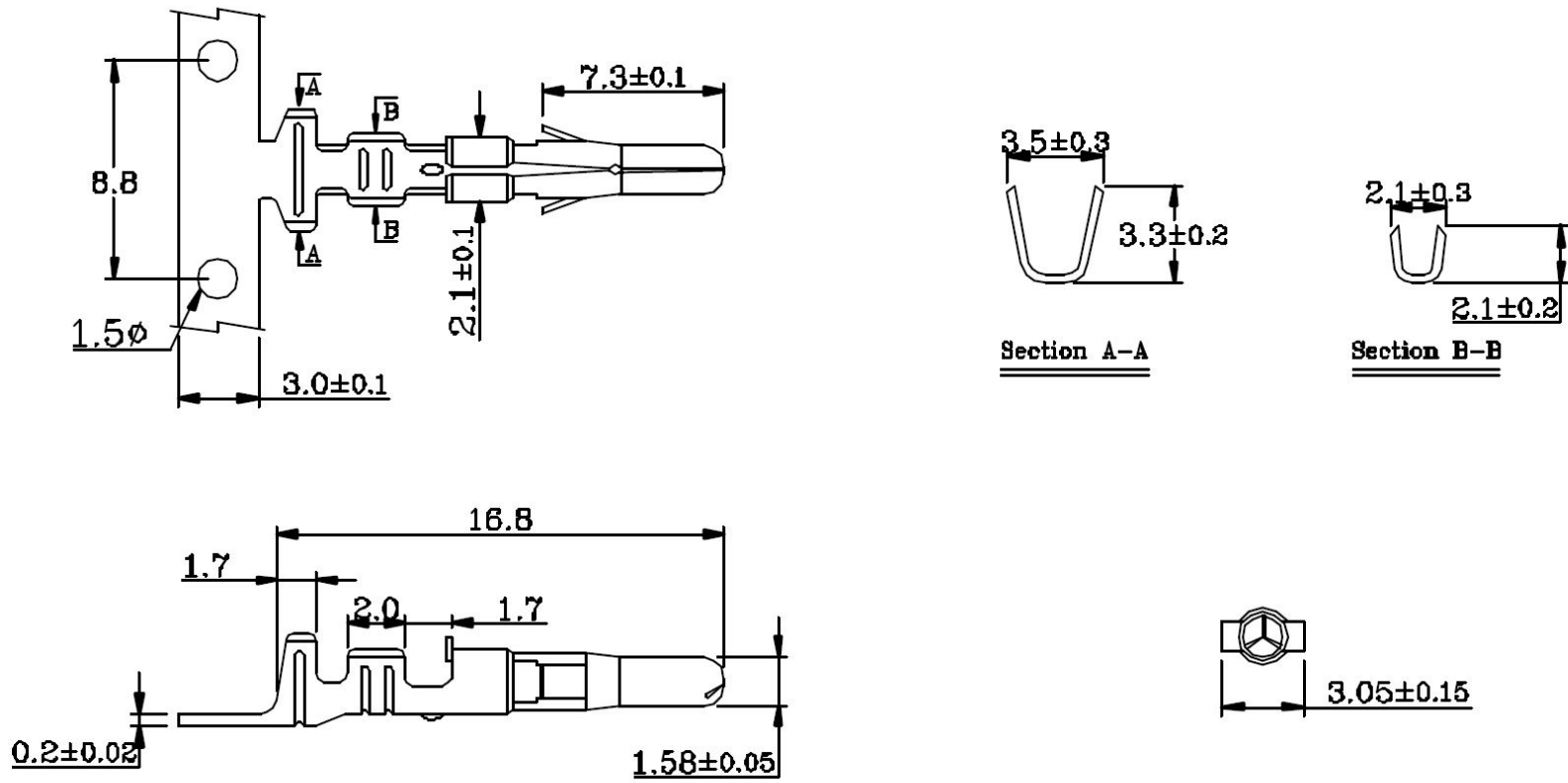


1.58mm (.062") Diameter Male Terminal



Specifications & Ordering Information:

Part No	Thickness	Material	Wire Range	Insulation O.D.	Finish	Qty/reel	Use with	Mate with
2856BS-6	0.2	Brass	AWG #18~24	2.8-2.2 mm	Pre. Tin-Plated	7,000 PCS	H856-N Housing	2855 Terminal

REV.	DATE	REV.	DATE
A	7.26.1999		

**HO CHIEN**  
www.hochien.com

UNIT : mm	APPROVAL	CHECKED	DRAWING	PRODUCT NO.
TOLERANCE : .000 : ±0.08 .00 : ±0.13 .0 : ±0.25	<i>Gary</i>	C.W Wu	K.M Chen	2856