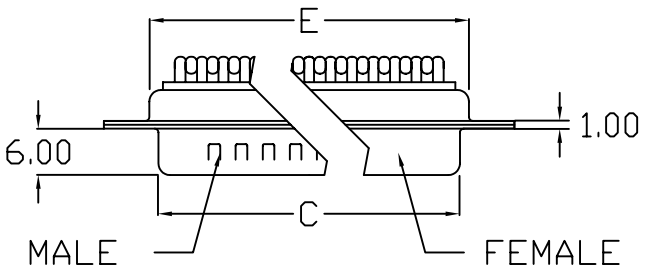
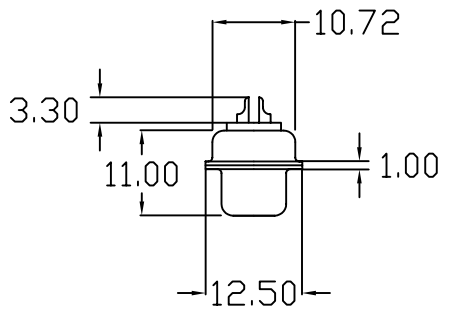
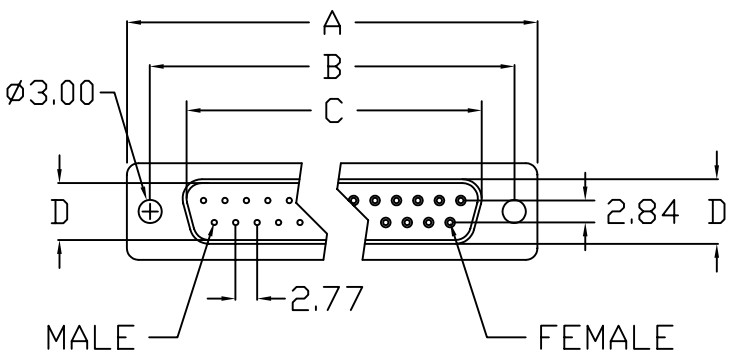


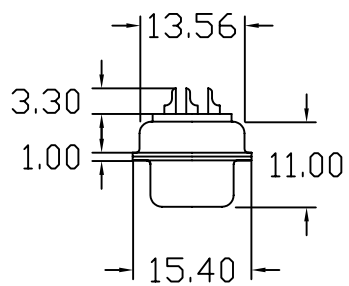
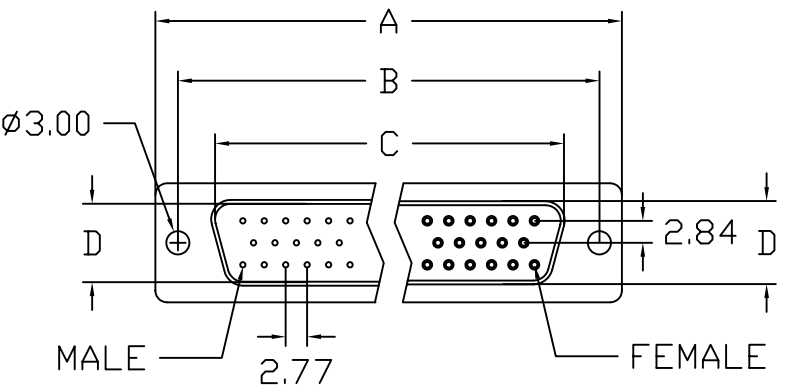
REVISION	DESCREPTION	DATE	APPD
0	SET UP	MAR/17/2000	C.Y.LIN



TYPE	PIN NO.	CONTACT PLATING	SHELL PLATING	INSULATOR COLOR	MOUNTING
3001 - <input type="checkbox"/>	<input type="checkbox"/>	<input type="checkbox"/>	<input type="checkbox"/>	<input type="checkbox"/>	<input type="checkbox"/>
0:MALE 1:FEMALE	1:09 PIN 2:15 PIN 5:25 PIN 6:37 PIN 7:50 PIN	Blank:Stamped Contact Gold Flash Plated GT:Stamped Contact Selective Gold Plated M:Machined Contact Gold Flash Plated	Blank:Tin plated Z:Zinc plated	Blank:White Bk:Black	Blank:Riveted Front & Rear Shell with 3.0mm Hole 2N:Riveted 4.0mm Open Hex Nuts on Rear Shell 2NA:Riveted 6.0mm Open Hex Nuts on Front Shell 2NB:Riveted 6.0mm Close Hex Nuts on Front Shell 2ND:Riveted 6.0mm Close Ground Stand-off on Rear Shell 2NJ:2N + Hex Screwlocks Assembly 2NDJ:2ND + Hex Screwlocks Assembly



(09 PIN ~ 37 PIN)



(50 PIN)

**MATERIAL & ELECTRICAL**  
 INSULATOR : PBT & 30% Glass-fibre UL 94-V0  
 CONTACT : Phosphor bronze  
 PLATING : Gold-plated over nickel  
 CURRENT RATING : 5 Amp  
 DIELECTRIC STRENGTH : 1000V for one minute  
 INSULATOR RESISTANCE : 1000MΩ Min. at 500V DC  
 TEMPERATURE : -55°C ~ +105°C

3001 Dimension ( mm )							Tolerance : ±0.2
Position	Plug ( M ) / Recept ( F )	A	B	C	D	E	
9	Plug (M)	30.81	24.88	16.92	8.36	19.28	
	Recept (F)			16.33	7.90		
15	Plug (M)	39.14	33.32	25.25	8.36	27.51	
	Recept (F)			24.66	7.90		
25	Plug (M)	53.04	47.04	38.96	8.36	41.30	
	Recept (F)			38.38	7.90		
37	Plug (M)	69.32	63.50	55.42	8.36	57.71	
	Recept (F)			54.84	7.90		
50	Plug (M)	66.93	61.11	52.81	11.07	55.32	
	Recept (F)			52.43	10.74		



TITLE :  
 STAMPED CONTACT D-SUB SOLDER CUP TYPE  
 MACHINED CONTACT D-SUB SOLDER CUP TYPE

DR: RON CHEN	CHK: J.T.CHEN	APPD: C.Y.LIN	PAGE: 1 OF 1	HO CHIEN P/N. 3001 SERIES
--------------	---------------	---------------	--------------	---------------------------