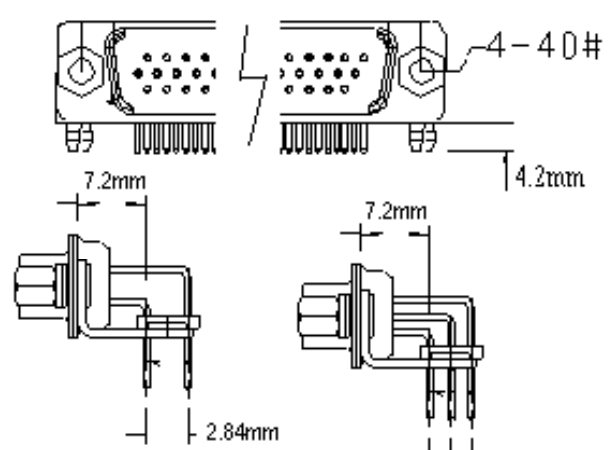


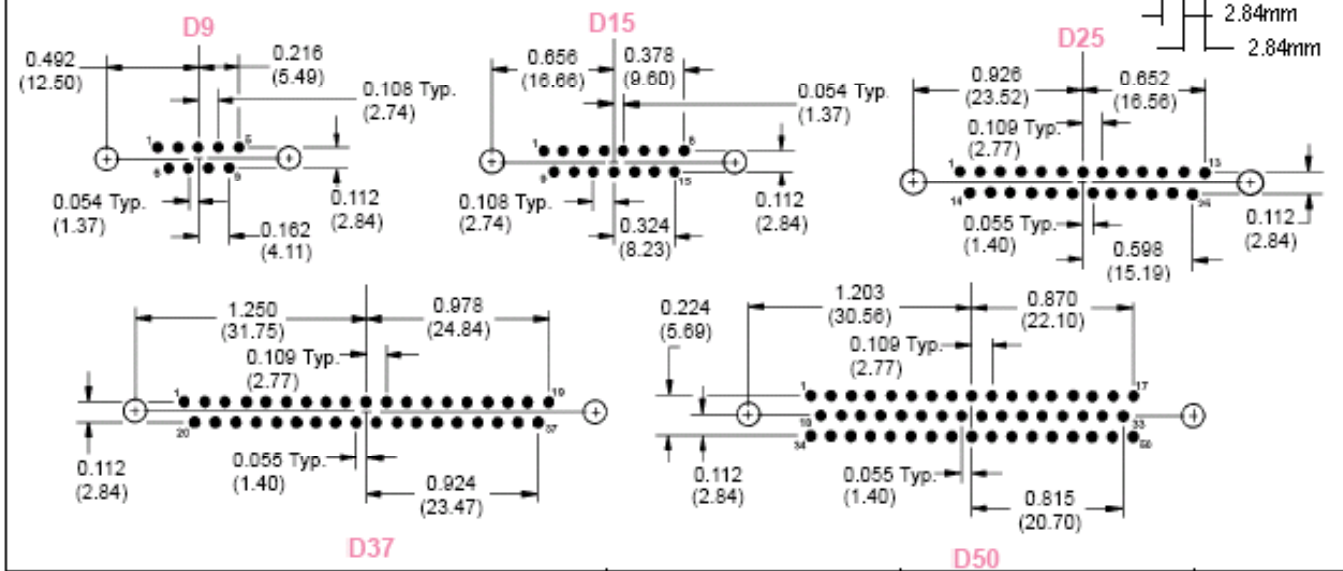
L: 8.61mm (9, 15, 25, 37P)  
L: 10.03mm (50P)




REVISION	DESCREPTION	DATE
0	Initial	12/4/06'

# 3003-XXTBAN

**Type:** \_\_\_\_\_  
**0: Male, 1: Female**  
**Position:** \_\_\_\_\_  
**1: 9P, 2: 15P, 5: 25P**  
**6: 37P, 7:50P**  
**Shell: T: Tin, Z: Zinc**  
**MOUNTING BRACKETS** \_\_\_\_\_  
**B = Plastic Bracket (Cross Bar)**  
**MOUNTING** \_\_\_\_\_  
**A = L Bracket w BoardLock**  
**N = Swaged to connector with 4-40 threads Fix Nut.**



 <b>HO CHIEN ENTERPRISE CO. LTD.</b>	
<b>TITLE: D-Sub R/A Machine Contact</b> <b>3003 Series</b>	
<b>PAGE: 1 OF 1</b>	<b>HO CHIEN P.N. 3003</b>