

NOTES:

1. ALL DIMENSIONS ARE IN MMS, WITH INCH IN PARENTHESIS.
2. RECOMMENDED PC-BOARD-HOLDS DIAMETER:
 $\phi 1.20\text{mm}$ to 1.40mm ; ($\phi 0.047''$ to $\phi 0.055''$).
3. N=NUMBER OF CONTACTS.
4. SCREW TYPE : "-" OR "+" .PLATING NI OR ZINC
5. MARKING :1,2,3,..(CONTACT NO.); COLOR:WHITE.
6. MATERIAL:
 - A. HOUSING: NYLON.
 - B. METAL PART: BRASS, PLATING: Tin.
 - C. MATEL PLATE: STAINLESS STEEL.
 - D. SCREW: STELL, PLATING: Ni OR Zinc.
7. WIRE RANGE: 14-22 AWG.
8. ROHS Directive compliance.
 (Lead-Free)Wave solder capable
 to 265°C , $10 \pm 0.5\text{sec}$.

ROHS

301 - XXX - XXX - XXX

Definition	Code
2 contacts(standard)	02
3 contacts(basic blocks)	03
(2 and 3 blocks are the standard versions with multiples thereof available)	etc.

Definition	Code
5.00mm/.197"	1
10.00mm/.394"	2

Definition	Code
4.5 mm	1
3.5 mm	3
3.0 mm	4

Definition	Code
- plating Zinc	2
+ plating Zinc	3
- plating Ni	4
+ plating Ni	5

Definition	Code
$\phi 2.6$	0
$\phi 3.0$	1

Definition	Code
No Wire Guard	0
With Wire Guard	1

Definition	Code
Black	0
Blue	6
Grey	8
White	9

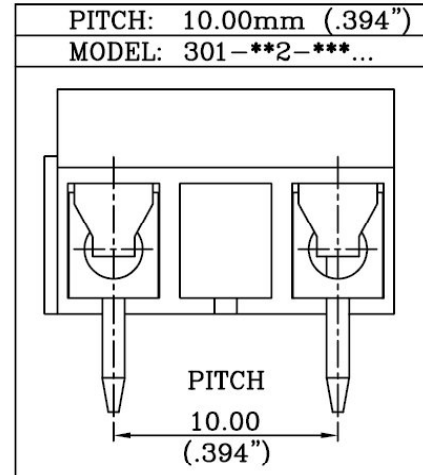
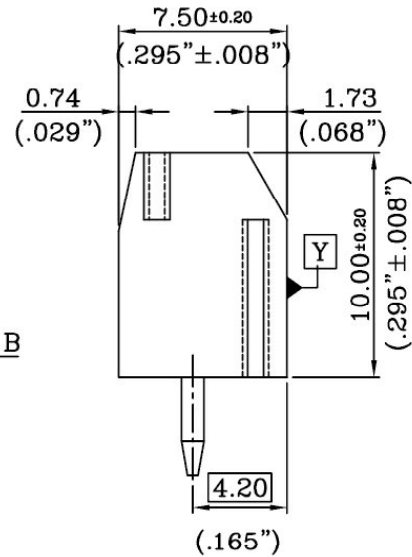
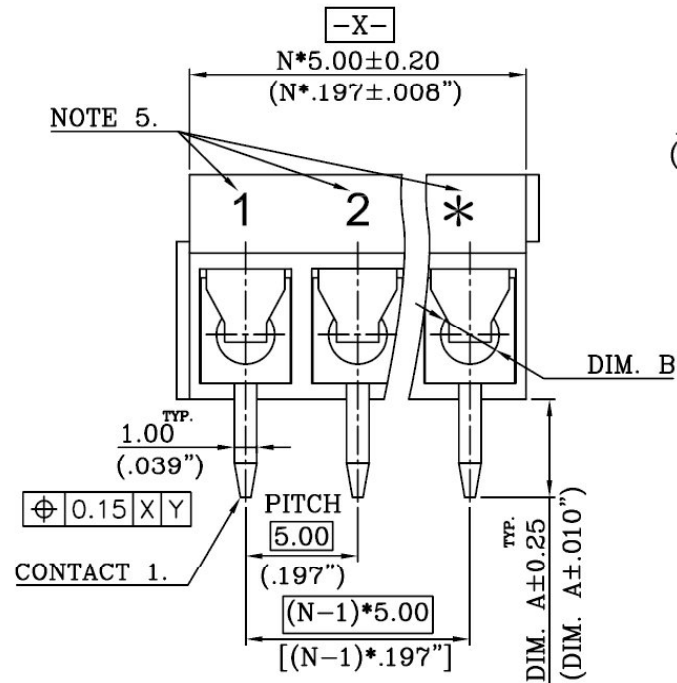
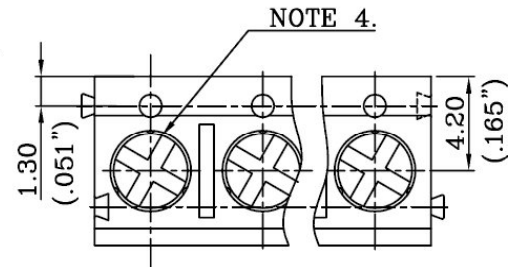
(Other colors available upon request)

Definition	Code
NO LOGO	0
NO LOGO+MARKING	1
NEXTRON	2
NEXTRON+MARKING	3

(markings available are: 1 to 100 or A to Z or custom specified)

NOTE 4.

NOTE 5.



3.5; (.138")	
3.0; (.118")	3.0; (.118")
4.5; (.177")	2.6; (.102")
DIM. A	DIM. B

REV.	ECN. NO.	DESCRIPTION	DATE	DRAWN	APPD

DESIGN UNITS <input checked="" type="checkbox"/> mm <input type="checkbox"/> INCH	NAME: T/B 301 SERIES 5.0 Pitch	HO CHIEN www.hochien.com
GENERAL TOLERANCES: (UNLESS SPECIFIED)	PART NO: SEE TABLE	TITLE: ASSEMBLY DWG. C
4 PLACE ± . . . ± . . .	APPD:	DWG. NO: 010-0000-280
3 PLACE ± . . . ± . . .	CHKD:	SCALE: 4 / 1
2 PLACE ± 0.20 ± . . .	DRAWN: 肖海洋 5/25.06	SHEET: 1 / 1
1 PLACE ± 0.15 ± . . .		REV.: C
ANGULAR: X° ± . . . X° ± . . .		