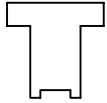


REVISION	DESCREPTION	DATE	APPD
0	SET UP	JAN/12/2007	C.Y.LIN

Riveted Open Hex Nuts of #4-40 UNC



Riveted Rivet with 3.0mm Hole



3027 -

CONTACT TYPE
 0=Male (Plug)
 1=Female (Receptacle)

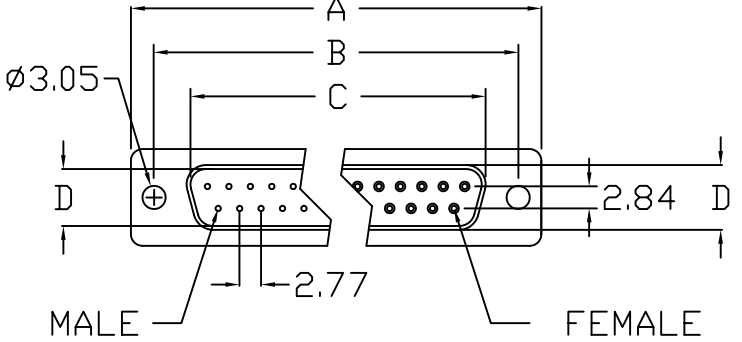
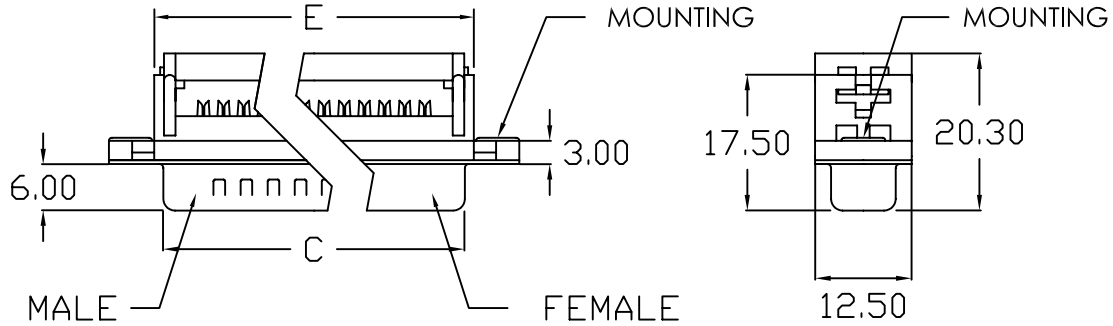
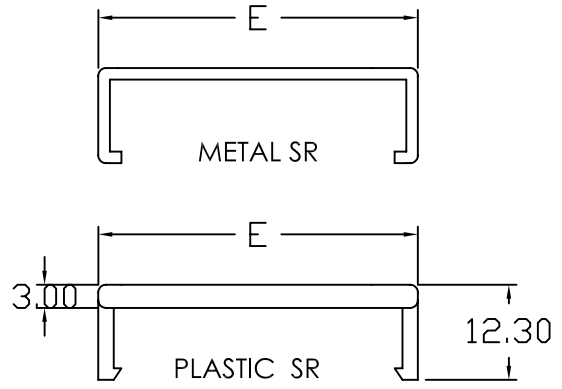
NO. OF CONTACT
 1=9Pin
 2=15Pin
 5=25Pin
 6=37Pin

CONTACT PLATING
 Blank=Selectiv Gold plated
 F=10u" Inch Gold
 E=15u" Inch Gold
 D=30u" Inch Gold

MOUNTING OPTIONS
 Blank=shell with 3.05mm Hole
 B=Riveted Open Hex Nuts of 4#40 unc

ACCESSORY
 Blank=With METAL Strain Relief
 P=With PLASTIC Strain Relief

INSULATOR COLOR
 Blank=Blue
 Bk=Black



MATERIAL & ELECTRICAL
 SHELL : Steel Tin plated
 INSULATOR : PBT & 30% Glass-fibre UL 94-V0
 CONTACT : Phosphor bronze
 PLATING : Selective gold-flash over nickel
 CURRENT RATING : 1A (28 AWG)
 DIELECTRIC STRENGTH : 1000V for one minute
 INSULATOR RESISTANCE : 1000MΩ Min. at 500V DC
 TEMPERATURE : -55°C ~ +105°C

3027 Dimension (mm)		Tolerance : ±0.2				
Position	Plug (M) / Recept (F)	A	B	C	D	E
9	Plug (M)	30.81	24.88	16.92	8.36	19.28
	Recept (F)			16.33	7.90	
15	Plug (M)	39.14	33.32	25.25	8.36	27.51
	Recept (F)			24.66	7.90	
25	Plug (M)	53.04	47.04	38.96	8.36	41.30
	Recept (F)			38.38	7.90	
37	Plug (M)	69.32	63.50	55.42	8.36	57.71
	Recept (F)			54.84	7.90	



TITLE : D-SUB IDC TYPE STANDARD PROFILE METAL/PLASTIC FLANGE ; FOR FLAT RIBBON CABLE

DR: RON CHEN	CHK: J.T.CHEN	APPD: C.Y.LIN	PAGE: 1 OF 1	HO CHIEN P/N. 3027 SERIES
--------------	---------------	---------------	--------------	---------------------------