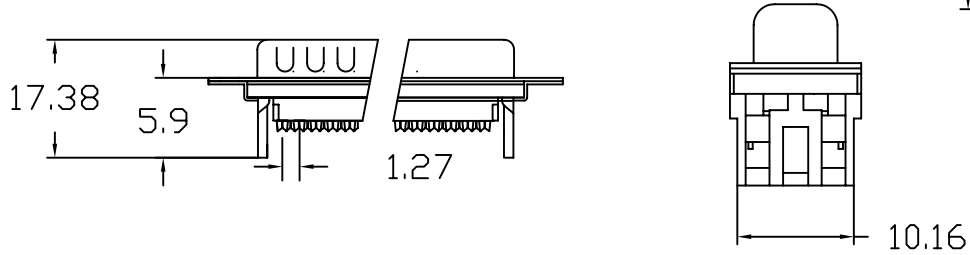
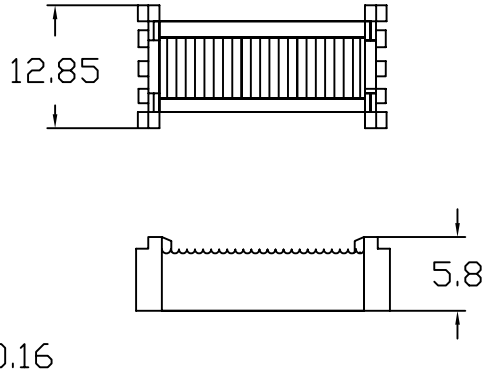
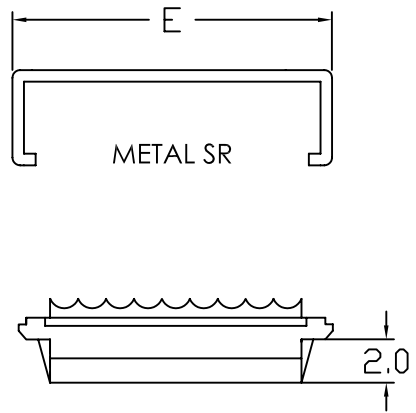
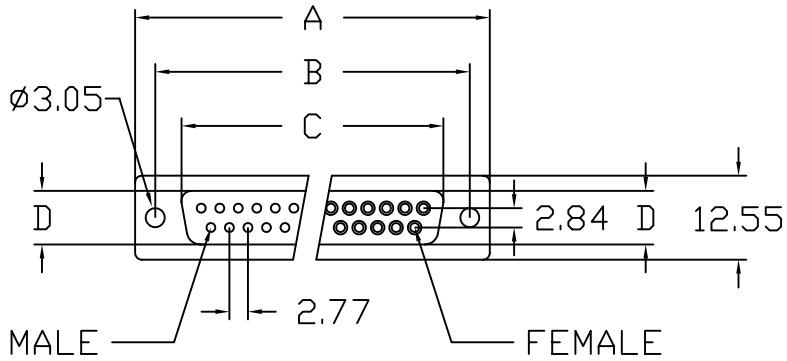


REVISION	DESCREPTION	DATE	APPD
0	RoHS	DEC/01/2005	C.Y.LIN



3047 -

CONTACT TYPE _____
 0=Male (Plug)
 1=Female (Receptacle)
NO. OF CONTACT _____
 1=9Pin
 2=15Pin
 5=25Pin
 6=37Pin
CONTACT PLATING _____
 Blank=Selectiv Gold plated
 F=10u" Inch Gold
 E=15u" Inch Gold
 D=30u" Inch Gold
MOUNTING OPTIONS _____
 Blank=Shell with 3.05mm Hole
 2N=Riveted 2.5mm Open Hex Nuts on Rear Shell
INSULATOR COLOR _____
 Blank=Black
 B=Blue

3047 Dimension (mm)							Tolerance : ±0.2
Position	Plug (M) / Recept (F)	A	B	C	D	E	
09	Plug (M)	30.81	24.88	16.92	8.36	19.28	
	Recept (F)			16.33	7.90		
15	Plug (M)	39.14	33.32	25.25	8.36	27.51	
	Recept (F)			24.66	7.90		
25	Plug (M)	53.04	47.04	38.96	8.36	41.30	
	Recept (F)			38.38	7.90		
37	Plug (M)	69.32	63.50	55.42	8.36	57.71	
	Recept (F)			54.84	7.90		

MATERIAL & ELECTRICAL
 SHELL : Steel Tin Plated
 INSULATOR : PBT & 30% Glass-fibre UL 94-V0
 CONTACT : Phosphor bronze
 PLATING : Selective gold plated over nickel
 CURRENT RATING : 1A (28 AWG)
 INSULATOR RESISANCE : 1000MΩ Min. at 500V DC
 TEMPERATURE : -55°C ~ +105°C



TITLE : D-SUB IDC TYPE STANDARD PROFILE METAL FLANGE ; FOR FLAT RIBBON CABLE

DR: RON CHEN	CHK: J.T.CHEN	APPD: C.Y.LIN	PAGE: 1 OF 1	HO CHIEN P/N. 3047 SERIES
--------------	---------------	---------------	--------------	---------------------------