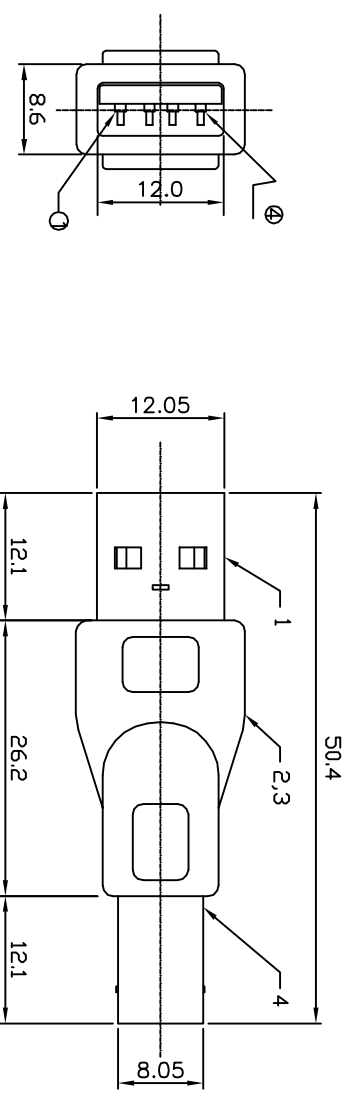
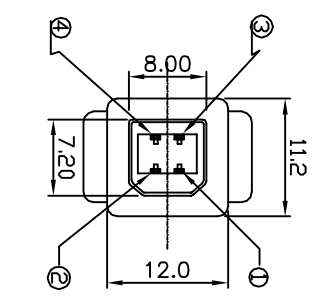


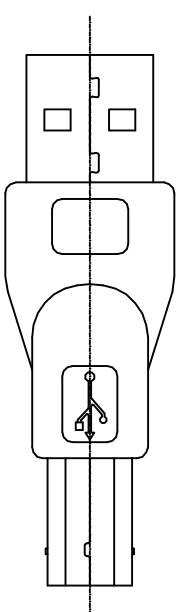
REVISION	DESCRIPTION	DATE	APPD
0	SET UP	FEB/04/2003	C.Y.LIN



USB A MALE



USB B MALE



PIN ASSIGNMENT

USB-A MALE	1	2	3	4	SHELL
USB-B MALE	1	2	3	4	SHELL

ELECTRONIC TEST:
 1.OPEN/SHORT/INTERMITTE:100%.
 2.INSULATION RESISTANCE:10M .
 3.CONTACT RESISTANCE:100 .

NO.	DESCRIPTION	UNIT	QTY
4	USB-B TYPE MALE INSULATION:WHITE IN COLOR GOLD FLASH	PCS	1
3	WIRE:UL1007 30AWG L:17MM BLACK IN COLOR	PCS	5
2	PVC MOLDED BEIGE IN COLOR		
1	USB-A TYPE MALE INSULATION:WHITE IN COLOR GOLD FLASH	PCS	1



HO CHIEN ENTERPRISE CO. LTD

TITLE :

DR :	RON CHEN	CHK :	J.T.CHEN	APPD :	C.Y.LIN	PAGE:	1 OF 1	HO CHIEN P/N.	ADP-USB-AMBM
------	----------	-------	----------	--------	---------	-------	--------	---------------	--------------