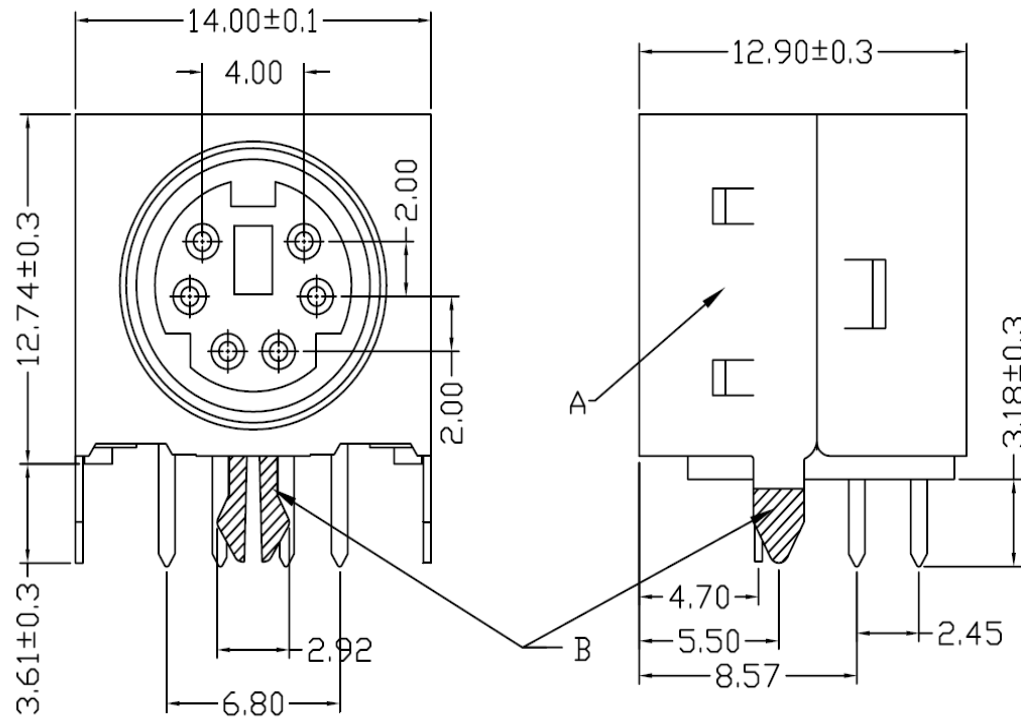


REV.	NOTES	DATE
A	RELEASED	2005/10/17
B	增加料號:AMD+1602-510B AMD+1602-Z10B	2005/12/29
C	增加料號:AMD+1602-270B AMD+1602-570B	2006/03/13



MATERIAL

INSULATOR: PBT UL 94V-0 Or PPS

SHELL: Brass, Nickel/Tin plated Or Tin Plated

CONTACT: Phosphor Bronze, Gold/Tin plated

ENVIRONMENTAL

OPERATING TEMPERATURE: -55°C~+105°C

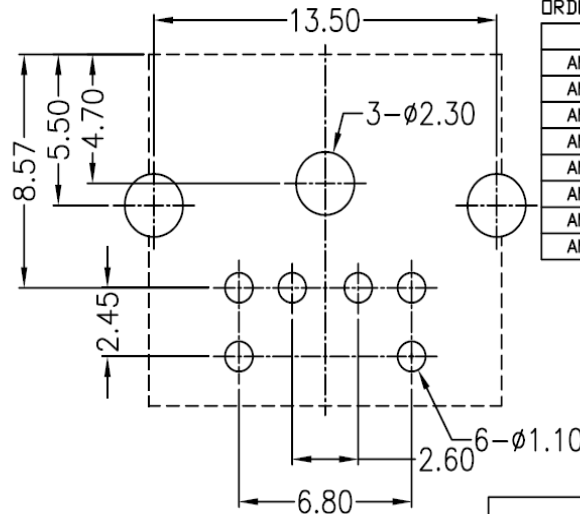
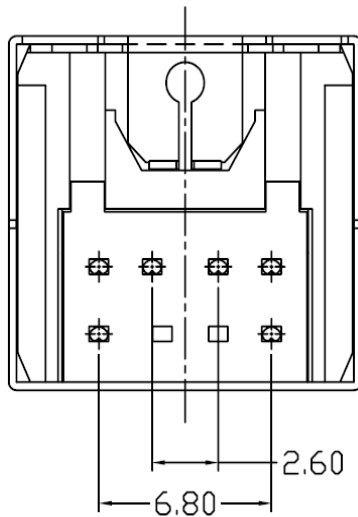
ELECTRICAL

CONTACT CURRENT RATING: 1 Amp

DIELECTRIC WITHSTANDING : AC 500V/min. R.M.S.

INSULATION RESISTANCE: 500MΩmin. at 500V DC

CONTACT RESISTANCE: 30mΩ Max



**P.C.B. LAYOUT
BOTTOM VIEW**

ORDER INFORMATION:

PART NO:	A PLATING	B PLATING	INSULATOR COLOR	INSULATOR
AMD+1602-540B	TIN PLATED	TIN PLATED	GREEN	PBT
AMD+1602-Z40B	TIN PLATED	TIN PLATED	PURPLE	PBT
AMD+1602-040L	TIN PLATED	TIN PLATED	BLACK	LCP
AMD+1602-070L	MUST BE SOLDER NICKEL		BLACK	LCP
AMD+1602-510B	Gold PLATED	Gold PLATED	GREEN	PBT
AMD+1602-Z10B	Gold PLATED	Gold PLATED	PURPLE	PBT
AMD+1602-270B	MUST BE SOLDER NICKEL		PURPLE	PBT
AMD+1602-570B	MUST BE SOLDER NICKEL		GREEN	PBT

單位(UNITS)	mm
數量(QTY)	N/A
材料(MTL)	SEE NOTE
處理(FINISH)	SEE NOTE

HO CHIEN
www.hochien.com

圖名(NAME)
Min. Din 6 Female Half Shielding, RoHs

料號(PART NUMBER)	AMD+1602-X40X
圖號(DRAW NUMBER)	RAMD1602X40X
圖檔(FILE NAME .DWG)	E:GCT/A/MD/1/60

DIMENSIONS TOLERANCE

METRIC

.0= ±.38
.00= ±.25
.000= ±.XXX
.0000= ±
ANG.= ±2°

核准(APP'D)	比例(SCALE)	1/1	圖紙(SIZE)	A4	頁次(SHEET)	1	版次(REV.)	C
-----------	-----------	-----	----------	----	-----------	---	----------	---