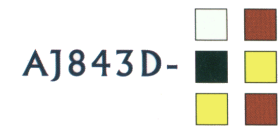
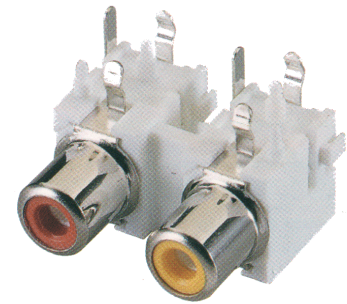
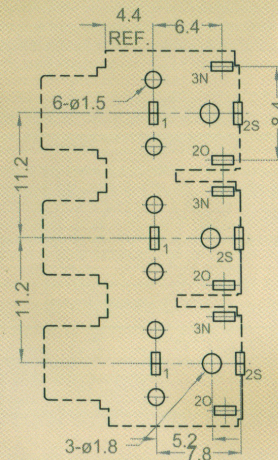
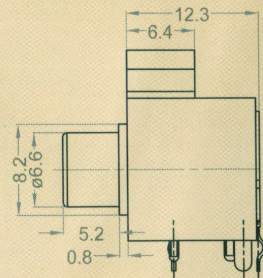
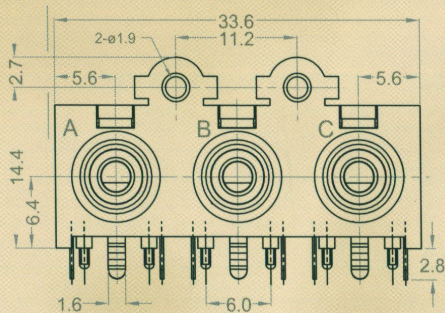


PCB LAYOUT
<BOTTOM VIEW>

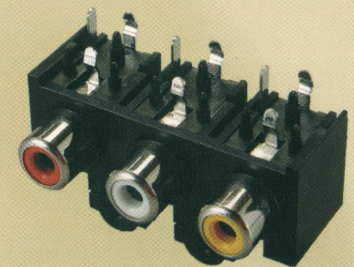


SCHEMATIC	
PART NO.	EX. AJ843D-XX

HO CHIEN



PCB LAYOUT
<BOTTOM VIEW>



CIRCUIT	R	W	Y	CIRCUIT	R	W	Y
	A	B	C		G	H	I
	D	E	F		J	K	L