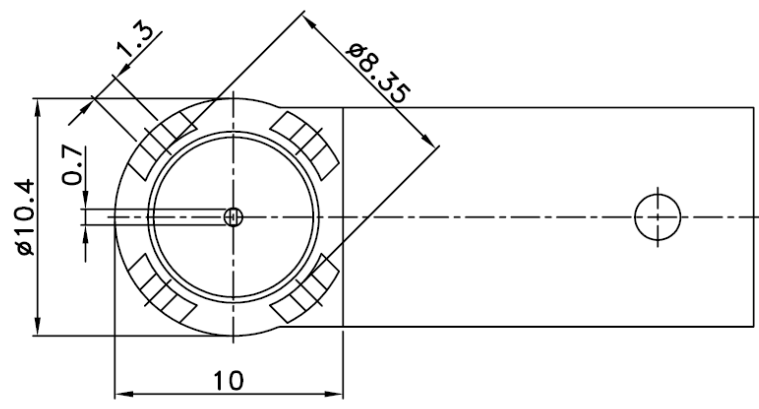
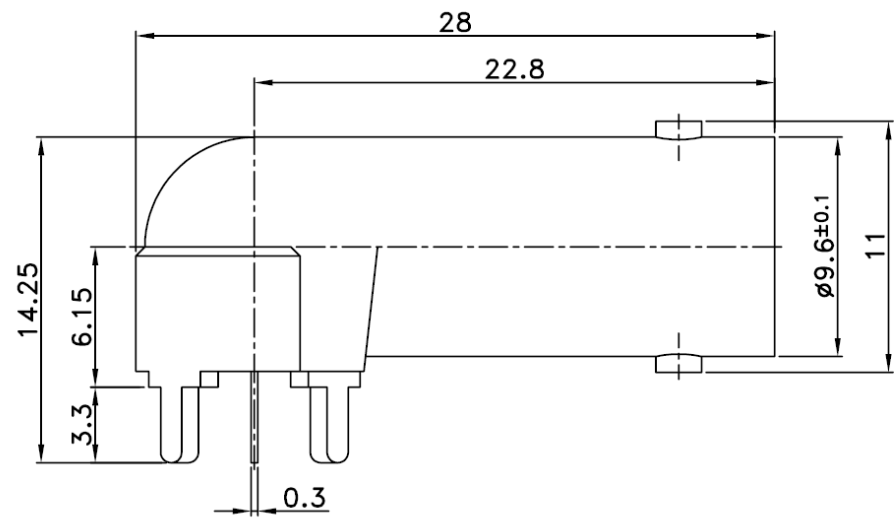
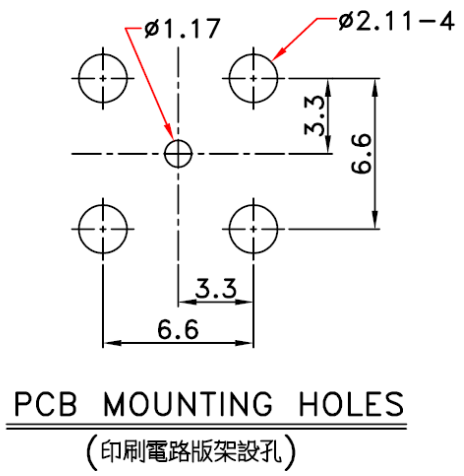


| REV | DESCRIPTION\PER REQUEST | DRAWN | DATE |
|-----|-------------------------|-------|------|
|     |                         |       |      |
|     |                         |       |      |



|           |                    |             |                 |               |
|-----------|--------------------|-------------|-----------------|---------------|
| 5         | Dielectric         | 1           | TPX             | None          |
| 4         | Dielectric         | 1           | Teflon          | None          |
| 3         | Pin                | 1           | Phos Bronze     | Tin           |
| 2         | Pin                | 1           | Phos Bronze     | Gold(3u")     |
| 1         | Body               | 1           | Zinc            | Nickel        |
| <i>NO</i> | <i>Description</i> | <i>Q'ty</i> | <i>Material</i> | <i>Finish</i> |

|           |               |
|-----------|---------------|
| PART NO.  |               |
| APPROVED  | DATE 12/09/04 |
| CHECKED   | DATE 12/09/04 |
| DRAWN Kai | DATE 12/09/04 |

| * MAJOR DIMENSION                 |
|-----------------------------------|
| UNLESS OTHERWISE NOTED TOLERANCES |
| 0.5-6=±0.2                        |
| 6-30=±0.4                         |
| 30-120=±0.6                       |
| 120-315=±1.0                      |
| ANGLES=±1°                        |
| SCALE 4/1 UNIT mm                 |

|  |       |
|--|-------|
| <b>HO CHIEN</b><br><i>www.hochien.com</i>            |       |
| TITLE<br><b>BNC RIGHT ANGLE P.C BOARD MOUNT JACK</b> |       |
| DRAWING NO.<br><b>BNC-1387-75-TGN</b>                | REV A |
| FILE NO. W:\DWG\COMPOSE\BNC\BNC-1387-75-TGN          |       |