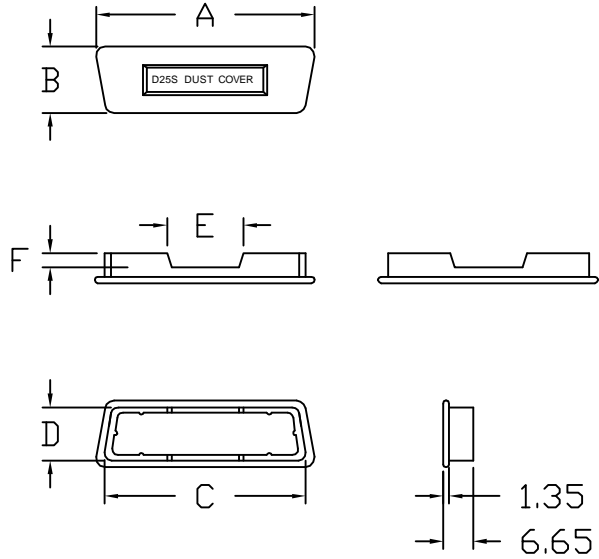
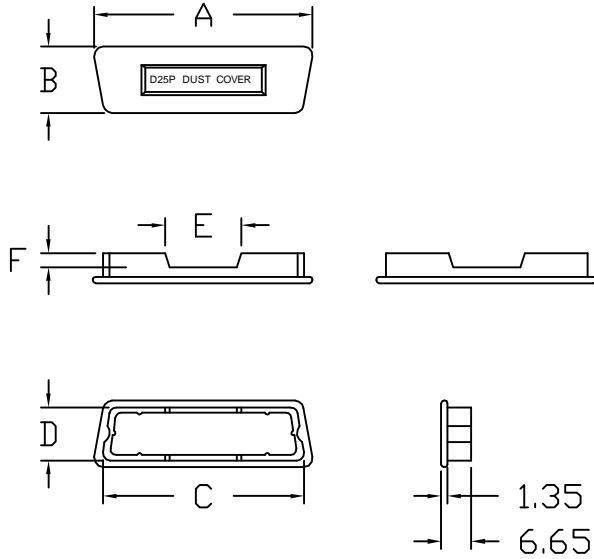


REVISION	DESCREPTION	DATE	APPD
0	SET UP	MAR/17/2002	C.Y.LIN

DC - □□ P

DC - □□ S



NO. OF CONTACT _____
 09=9Pin
 15=15Pin
 25=25Pin
 37=37Pin
 50=50Pin
 CONTACT TYPE _____
 P=Male
 S=Female

MATERIAL
 INSULATOR : P.E
 COLOR : TRANSPARENT WHITE

Dimension (mm)							Tolerance : ±0.2	
Position	Male (P) / Female (S)	A	B	C	D	E	F	
DC - 09	Male (P)	24.45	14.72	21.40	12.69	9.87	2.96	
	Female (S)	22.53	13.21	19.88	11.20		2.92	
DC - 15	Male (P)	32.85	14.72	30.19	12.69	11.90	2.96	
	Female (S)	31.03	13.21	28.27	11.20		2.92	
DC - 25	Male (P)	46.26	14.72	43.44	12.69	13.85	2.96	
	Female (S)	44.50	13.21	41.78	11.20		2.92	

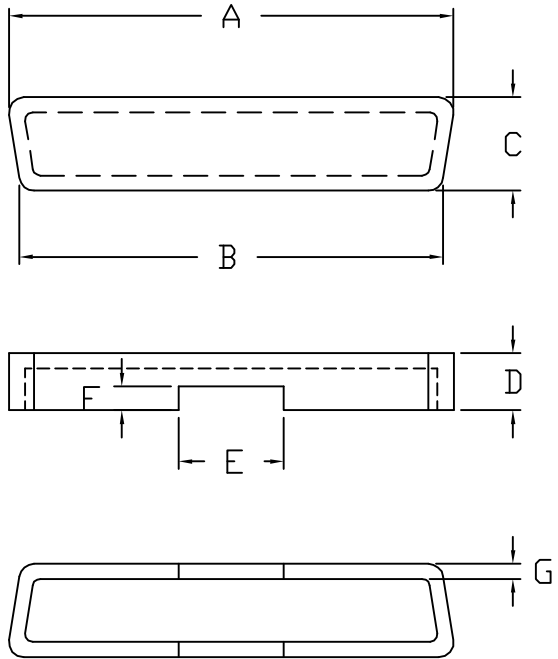


TITLE : DUST COVER

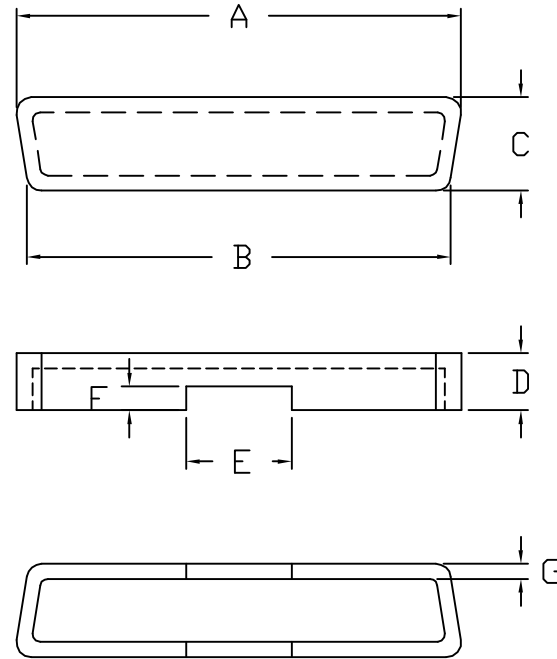
DR: RON CHEN	CHK: J.T,CHEN	APPD: C.Y.LIN	PAGE: 2 OF 1	HO CHIEN P/N. DC SERIES
--------------	---------------	---------------	--------------	-------------------------

REVISION	DESCREPTION	DATE	APPD
0	SET UP	MAR/17/2002	C.Y.LIN

DC - □□ P



DC - □□ S



DC - □□□

NO. OF CONTACT _____

09=9Pin
15=15Pin
25=25Pin
37=37Pin
50=50Pin

CONTACT TYPE _____

P=Male
S=Female

MATERIAL
INSULATOR : P.E
COLOR : TRANSPARENT WHITE

Dimension (mm)									Tolerance : ±0.2	
Position	Male (P) / Female (S)	A	B	C	D	E	F	G		
DC - 37	Male (P)	59.8	55.1	12.4	7.6	14.0	3.2	1.5		
	Female (S)	57.9	53.3	11.3	7.8	12.6	2.5	1.7		
DC - 50	Male (P)	57.1	51.0	14.9	8.1	12.0	2.9	1.5		
	Female (S)	54.7	50.1	13.8	8.0	11.9	2.9	1.5		



HO CHIEN ENTERPRISE CO. LTD

TITLE : DUST COVER

DR: RON CHEN	CHK: J.T,CHEN	APPD: C.Y.LIN	PAGE: 2 OF 2	HO CHIEN P.N. DC - SERIES
--------------	---------------	---------------	--------------	---------------------------