

1.58mm Diameter Connector

- Material: Nylon UL 94V-2
- Current Rating: 5A
- HB55-N, HB55-NK Use With 2855 Terminal
- Voltage Rating: 250V
- Temperature Range: -25°C ~ +85°C
- HB56-N, HB56-NK Use With 2856 Terminal

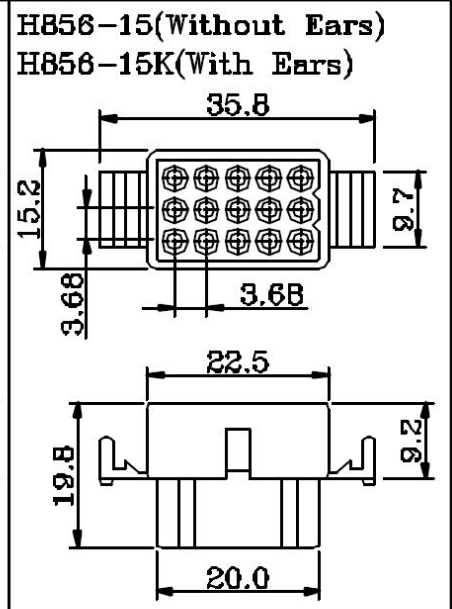
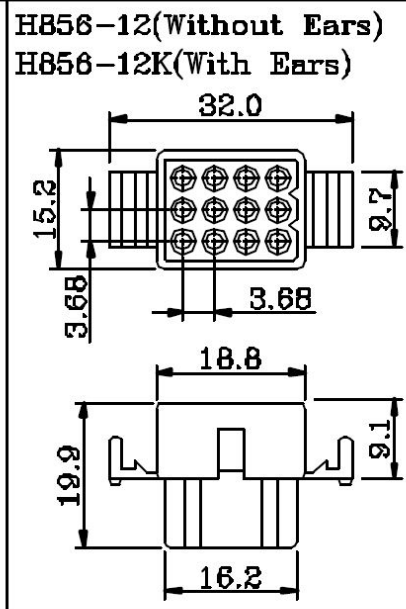
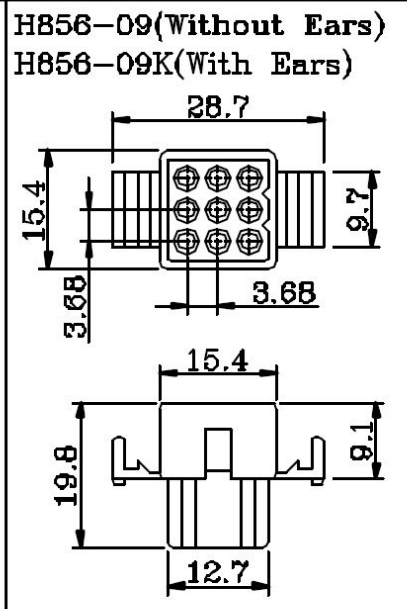
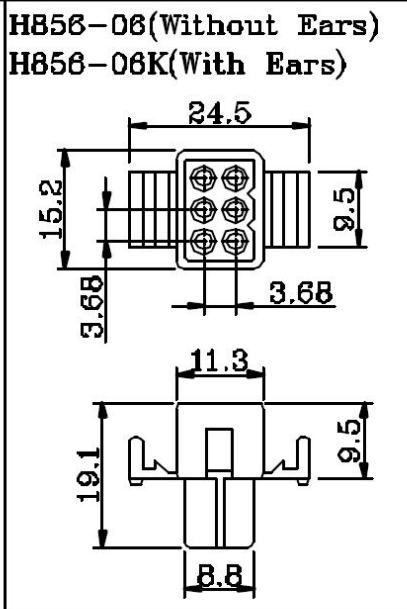
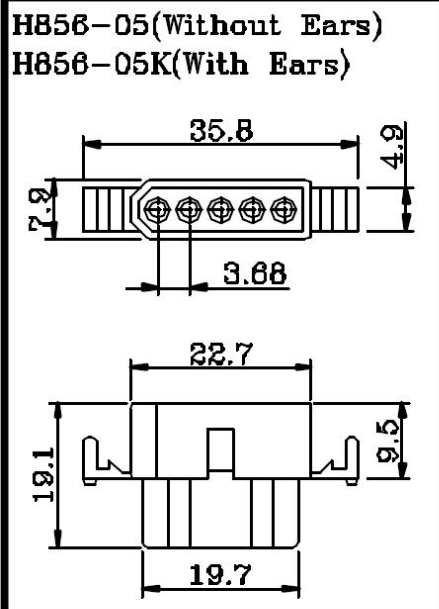
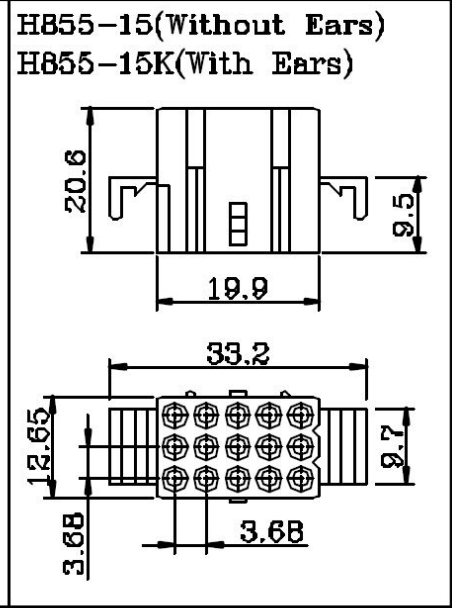
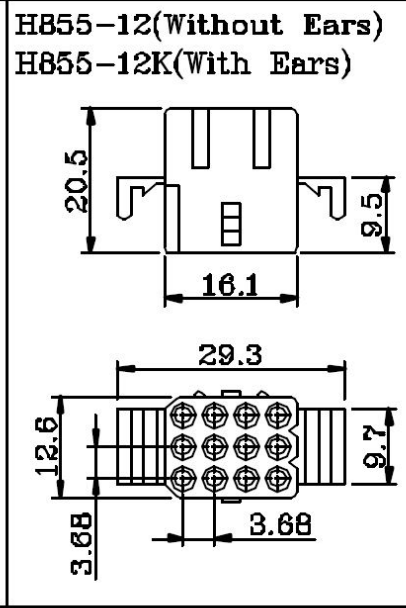
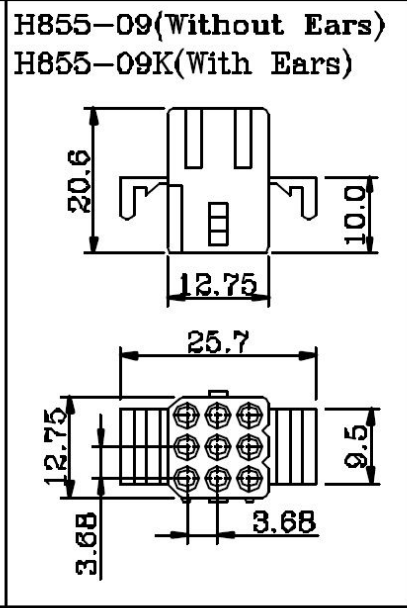
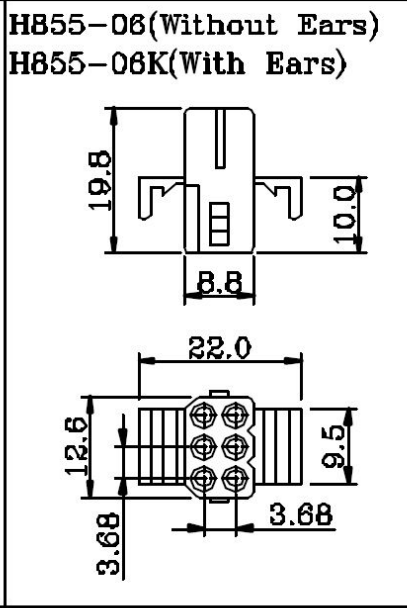
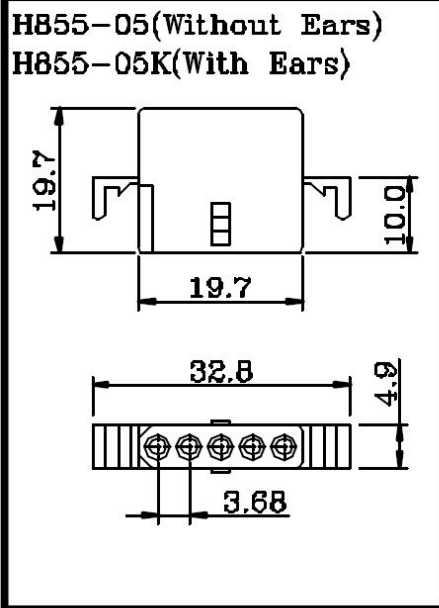
| | | | | |
|-----------------------|---|---|---|---|
| <p>H855-01</p> | <p>H855-02(Without Ears) H855-02K(With Ears)</p> | <p>H855-03(Without Ears) H855-03K(With Ears)</p> | <p>H855-1x4(Without Ears) H855-1x4K(With Ears)</p> | <p>H855-2x2(Without Ears) H855-2x2K(With Ears)</p> |
|-----------------------|---|---|---|---|

| | | | | |
|-----------------------|---|---|---|---|
| <p>H856-01</p> | <p>H856-02(Without Ears) H856-02K(With Ears)</p> | <p>H856-03(Without Ears) H856-03K(With Ears)</p> | <p>H856-1x4(Without Ears) H856-1x4K(With Ears)</p> | <p>H856-2x2(Without Ears) H856-2x2K(With Ears)</p> |
|-----------------------|---|---|---|---|

| | | | | | | | | | |
|------|-----------|------|------|--|--|-------------|---------|----------|--------------------|
| REV. | DATE | REV. | DATE | <h1 style="margin: 0;">HO CHIEN</h1> <p style="margin: 0;">www.hochien.com</p> | UNIT : mm | APPROVAL | CHECKED | DRAWING | PRODUCT NO. |
| A | 7.20.2000 | | | | TOLERANCE : .000 : ±0.08 .00 : ±0.13 .0 : ±0.25 | <i>Gary</i> | C.W Wu | K.M Chen | H855-xx H856-xx |

1.58mm Diameter Connector

●Material: Nylon UL 94V-2 ●Current Rating: 5A ●H855-N,H855-NK Use With 2855 Terminal
 ●Voltage Rating: 250V ●Temperature Range:-25°C~+85°C ●H856-N,H856-NK Use With 2856 Terminal



| | | | |
|------|-----------|------|------|
| REV. | DATE | REV. | DATE |
| A | 7.20.2000 | | |

HO CHIEN
www.hochien.com

| | | | | |
|--|-------------|---------|----------|--------------------|
| UNIT : mm | APPROVAL | CHECKED | DRAWING | PRODUCT NO. |
| TOLERANCE : .000 : ±0.08 .00 : ±0.13 .0 : ±0.25 | <i>Gary</i> | C.W Wu | K.M Chen | H855-×× H856-×× |