

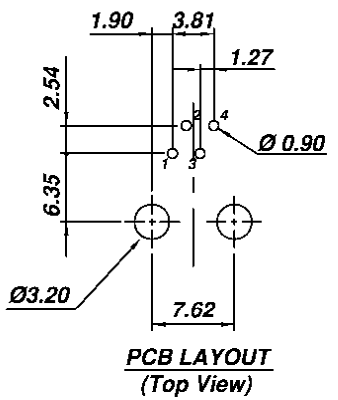
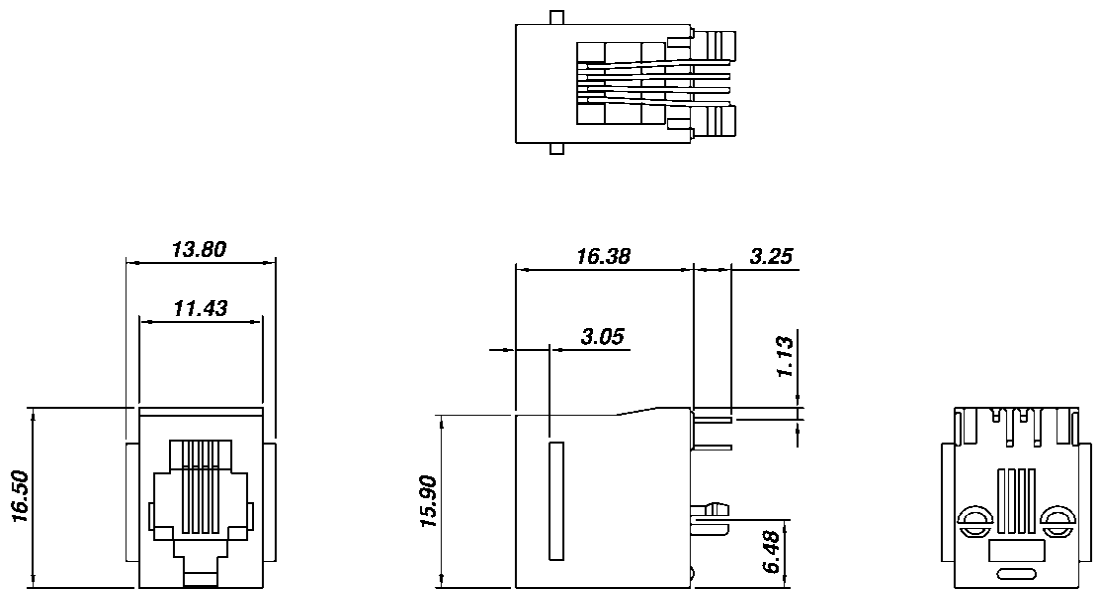
SPECIFICATION :

1. Electrical Char.

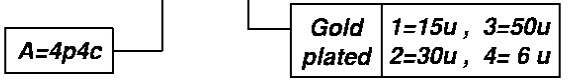
- Insulation Resistance : 500M-Ohm Min.
- Contact Resistance : 20milli-Ohm Max.
- Rating Current : 1.5A Max.
- Rating Voltage : 120V AC.
- Dielectric Voltage : 1,000 Vrms 60 Sec. Min.

2. Physical char.

- Housing : PBT Glass Filled (UL 94V-0)
- Color : Black Color
- Spring Wire : 0.45mm Dia. Phosphor bronze
- Gold Plating Over Nickel
- Temperature Range : - 40°C / +85°C
- Durability : 500 Mating cycles Min.



HC-012-4-A-LX



HO CHIEN

www.hochien.com

TITLE

RJ11 TOP ENTRY PCB JACK

UL & cUL FILE NO. E131820

MODULAR JACKS ASSY FOR

HC-012-4-A-LX

SCALE SIZE DWG. NO. 9605 SERIES

NOT SCALED DRAWING	TOLERANCE UNLESS OTHERWISE NOTICE	INCH	MM	DR.	DATE
THIRD ANGLE PROJECTION	LINEAR	00±0.01 000±0.005 0000±0.002	00±0.25 000±0.13 0000±0.05	Steven CK'D John APP'D	MAR-01 '06
	ANGLE ±0°30'	RADIL	+0.45 -0.15	Billy	MAR-01 '06

DWG. NO. **AS012001-1**