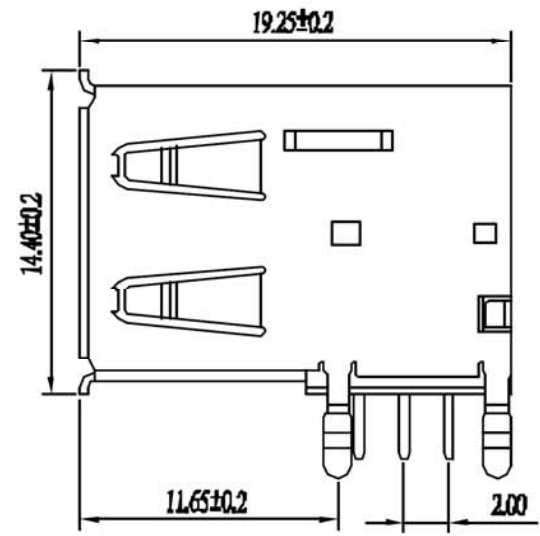
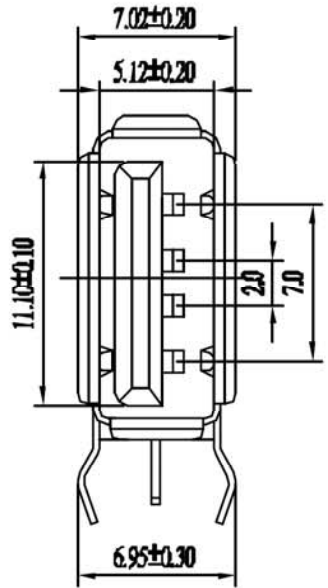
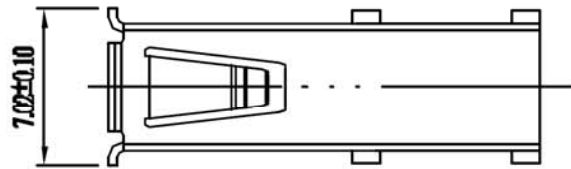
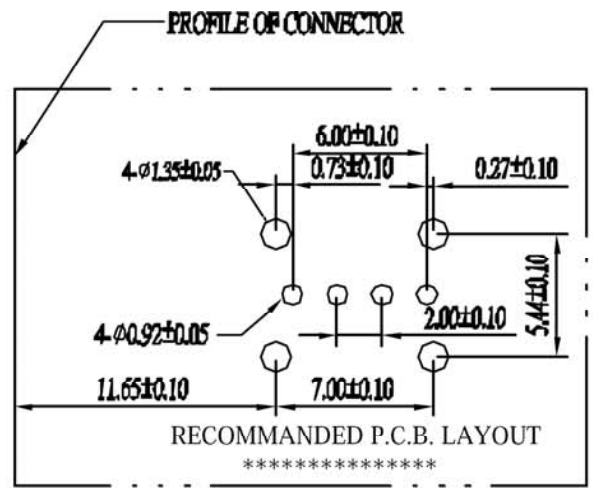


REV.	EDN NO	LOCATIONS	DESCRIPTION	DATE	REVISER	APPD



Note:

1. Material:
 - 1.1 Insulator: P.B.T UL 94-V0 rated.
 - 1.2 Contact: Copper alloy, t=0.25mm.
 - 1.3 Shell: Copper alloy, t=0.30mm.
2. Specification:
 - 2.1 Current rating: 1 A Max.
 - 2.2 Dielectric withstanding voltage: 500 V(ac) for 1 minute.
 - 2.3 Contact resistance: 30 mΩ Max.
 - 2.4 Insulation resistance: 1000 MΩ Min at DC 500V.
 - 2.5 Total mating force: 3.57 Kgf Max.
 - 2.6 Total unmating force: 1.02 Kgf Min.
 - 2.7 Temperature range: -55°C~+105°C
3. Finishes:
 - 3.1 contacts: Gold flashed 1u", 3u", 5u", 10u", 15u", 30u".
 - 3.2 Shell: Nickel plated.



3	Shell	1	Copper alloy	T=0.30mm	Nickel Plated
2	Contact	4	Copper alloy	T=0.25mm	Gold Flashed
1	Housing	1	P.B.T	UL 94-V0	Black/Ivory
No.	Name	Qty	Material	Remarks & Thickness	Finish

PART NO:		MATERIAL:		HO CHIEN www.hochien.com	
MODEL NO:		FINISH:			
UNITS: mm	SIZE: A4	COL DR:		PART NAME:	
TOLERANCE UNSPECIFIED		DR: <i>Dyphau</i>		USB-A TYPE P.C.B.(F) 脚向 90°	
.x ±0.3	.xx ±0.20	CHK: <i>Nick</i>		DWG NO: HC-031-08	REV: A0
.xxx ±0.100	ANG ±1°	APP: <i>Kent</i>		SCALE: 3:1	SHEET: 1 of 1