

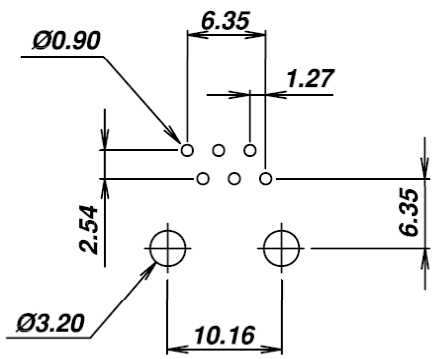
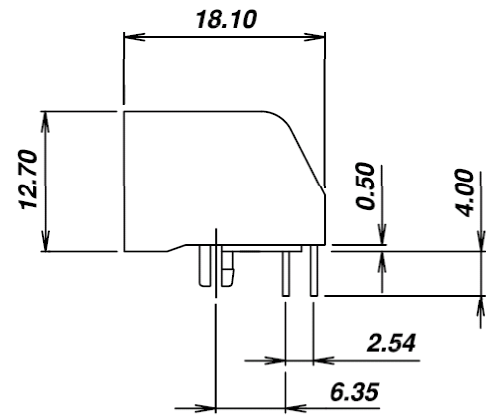
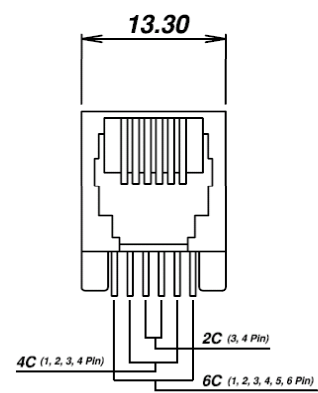
SPECIFICATION :

1. Electrical Char.

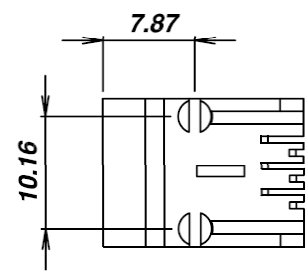
- Insulation Resistance : 500M-Ohm Min.
- Contact Resistance : 20milli-Ohm Max.
- Rating Current : 1.5A Max.
- Rating Voltage : 120V AC.
- Dielectric Voltage : 1,000 Vrms 60 Sec. Min.

2. Physical char.

- Housing : PBT Glass Filled (UL 94V-0)
- Color : Black Color
- Spring Wire : 0.35mm Thickness Phosphor Bronze
Gold Plating Over Nickel
- Temperature Range : - 40°C / +85°C
- Durability : 500 Mating cycles Min.



**PCB Layout
(Top View)**



HC-031-6-X-LX-N — FLANGELESS

B=6p2c, C=6p4c
D=6p6c

Gold plated 1=15u, 3=50u
2=30u, 4= 6 u

HO CHIEN
www.hochien.com

TITLE
RJ11 or RJ12 Very Low Profile PCB Jack
UL & cUL FILE NO. E131820

**MODULAR JACKS ASSY FOR
HC-031-6-X-LX-N**

SCALE SIZE DWG. NO. 9631-6 SERIES

NOT SCALED DRAWING	TOLERANCE UNLESS OTHERWISE NOTICE	INCH	MM	DR.	DATE
THIRD ANGLE PROJECTION	LINEAR $\frac{MM}{INCH}$	00±0.01 000±0.005 0000±0.002	00±0.25 000±0.13 0000±0.05	Steven CK'D John APP'D Billy	MAR-01 '06 MAR-01 '06 MAR-01 '06
	ANGLE +0°30'	RADIL	+0.45 -0.15		

DWG. NO. **AS031002-1**