

SPECIFICATION :

1. Electrical Char.

Insulation Resistance : 500M-Ohm Min.
 Contact Resistance : 20milli-Ohm Max.
 Rating Current : 1.5A Max.
 Rating Voltage : 120V AC
 Dielectric Voltage : 1,000 Vrms 60 Sec. Min.

2. Physical char.

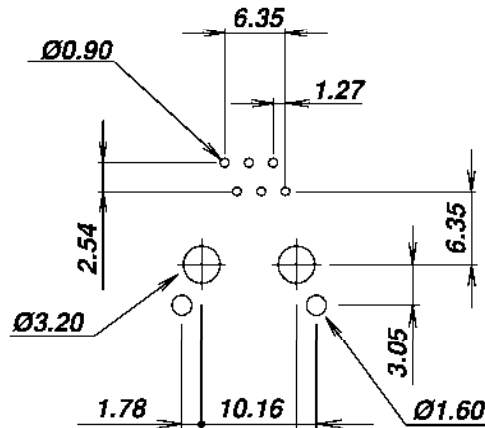
Housing : PBT Glass Filled (UL 94V-0)
 Color : Black Color
 Spring Wire : 0.35mm Thickness Phosphor Bronze
 Gold Plating Over Nickel
 Temperature Range : - 25 /+90 Deg C
 Durability : 500 Mating cycles Min.

HC-031SH-6-X-LX

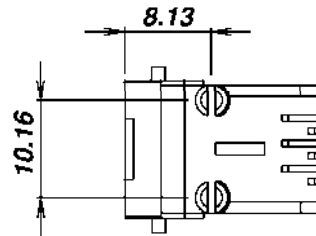
B=6p2c , C=6p4c
D=6p6c

L=Lead Free

Gold Plated 1=15u , 3=50u
2=30u , 4= 6 u



PCB Layout
(Top View)



Note : Total CD(cadmium) Content< 5PPM(mg/kg)
 Test Method : EN1122:2001 Method (ICP-AES)
 : Total Pb(Lead) Content< 100PPM(mg/kg)
 Test Method : US EPA3050B (ICP-AES)

<h1>HO CHIEN</h1> <p>www.hochien.com</p>	
TITLE RJ11 or RJ12 Very Low Profile PCB Jack UL & cUL FILE NO. E131820	
MODULAR JACKS ASSY FOR HC-031SH-6-X-LX	
SCALE SIZE DWG. NO. 9631-S6 SERIES	

NOT SCALED DRAWING	TOLERANCE UNLESS OTHERWISE NOTICE	INCH	MM	DR.	DATE
 THIRD ANGLE PROJECTION	LINEAR MM INCH	00±0.01	00±0.25	Steven	JAN-12 '05
		000±0.005	000±0.13	Johnn	JAN-12 '05
	ANGLE ±0'30'	RADIL	+0.45 -0.15	Billy	JAN-12 '05

DWG. NO.

AS031017-L