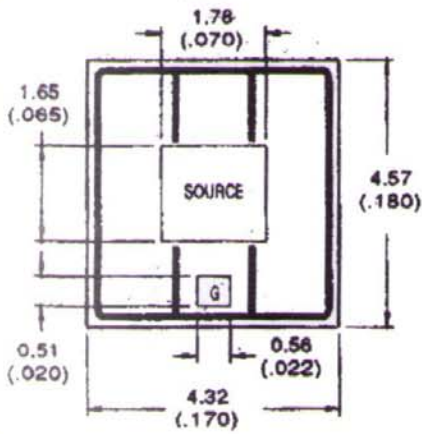


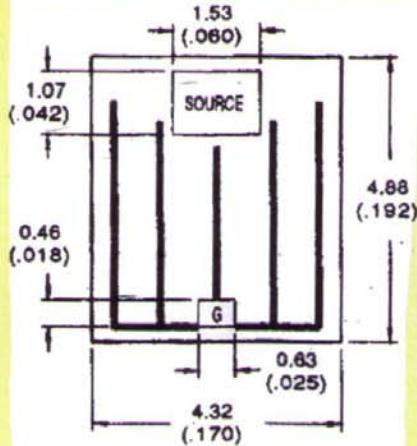
# IRFC140

D19



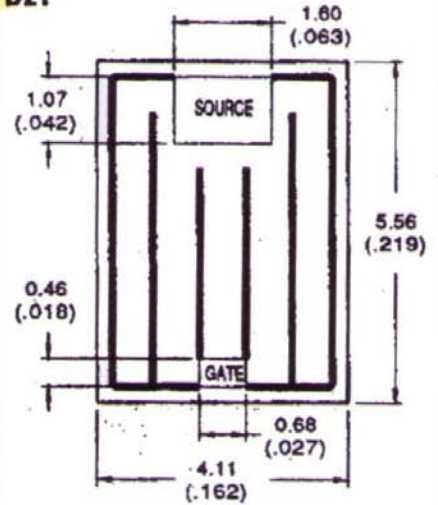
HEX-4: 50V TO 60V, N-CHANNEL

D20



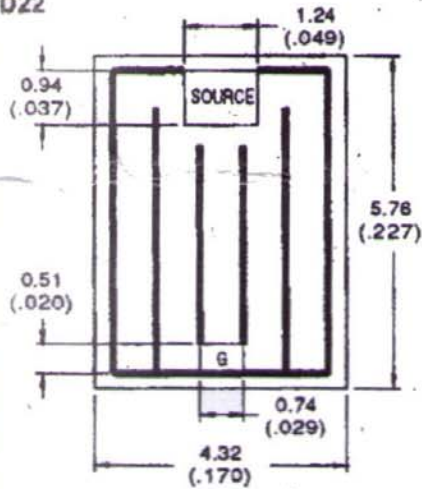
HEX-4: 100V, N-CHANNEL  
LOGIC LEVEL: HEX-4: 100V, N-CHANNEL

D21



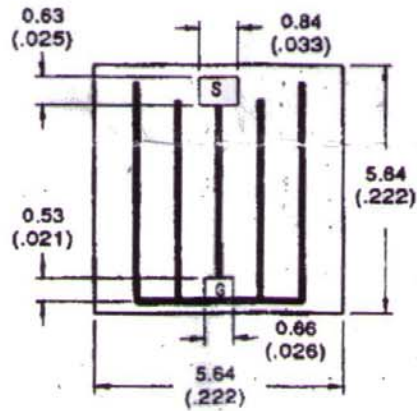
HEX-4: 200V TO 250V, N-CHANNEL

D22



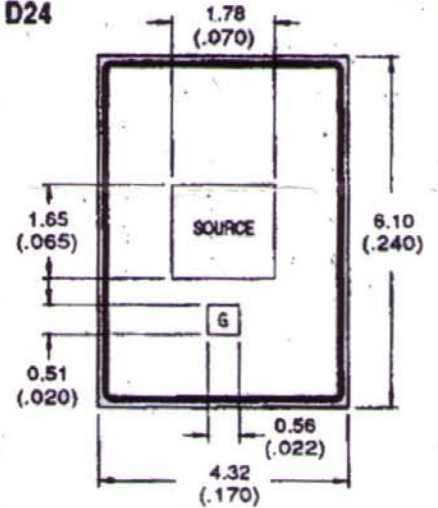
HEX-4: 400V TO 600V, N-CHANNEL

D23



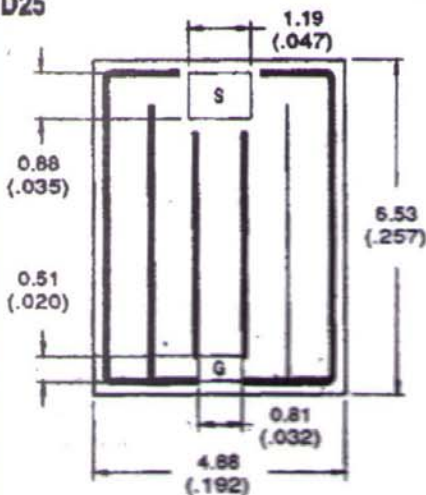
HEX-4: 800V TO 1000V, N-CHANNEL

D24



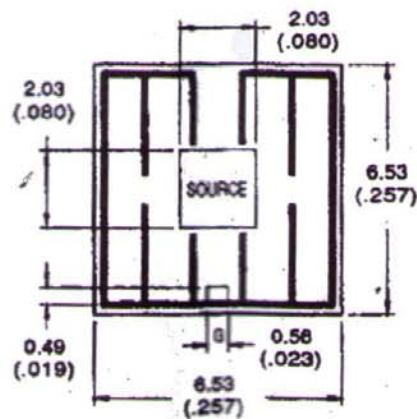
HEX-4.1: 60V, N-CHANNEL

D25



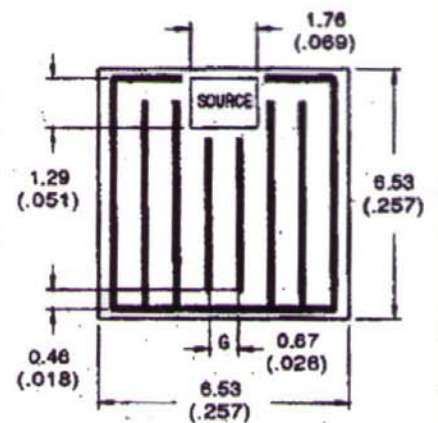
HEX-4.5: 500V TO 600V, N-CHANNEL

D26



HEX-5: 60V, N-CHANNEL

D27



HEX-5: 100V TO 500V, N-CHANNEL